

CTD SERIES

寶獅牌工業用縫紉機 INDUSTRIAL SEWING MACHINE

MODEL

CTD9711

CTD9713

CTD9760

CTD9811

&

UTB07

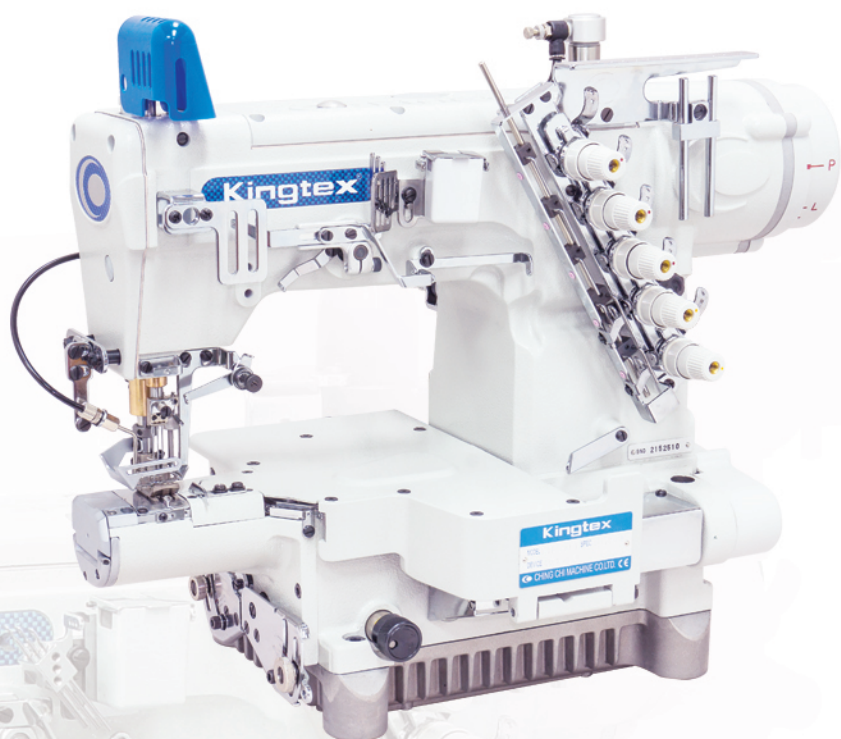
UTC07

STB03

STC03

WPC02

WPG01

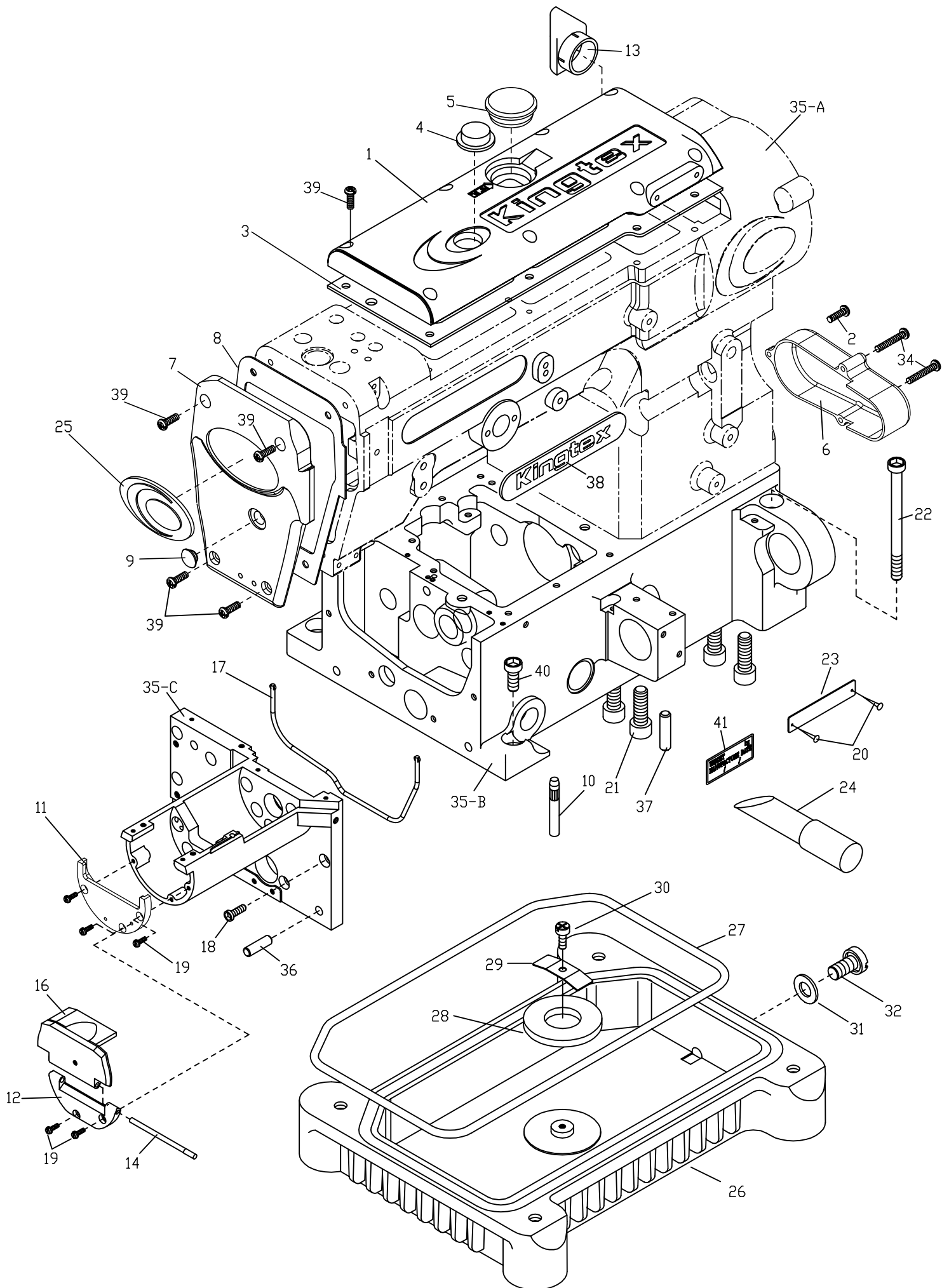


**DIRECT DRIVE SMALL CYLINDER
BED INTERLOCK MACHINE
AND DEVICES / ATTACHMENTS**

Parts List



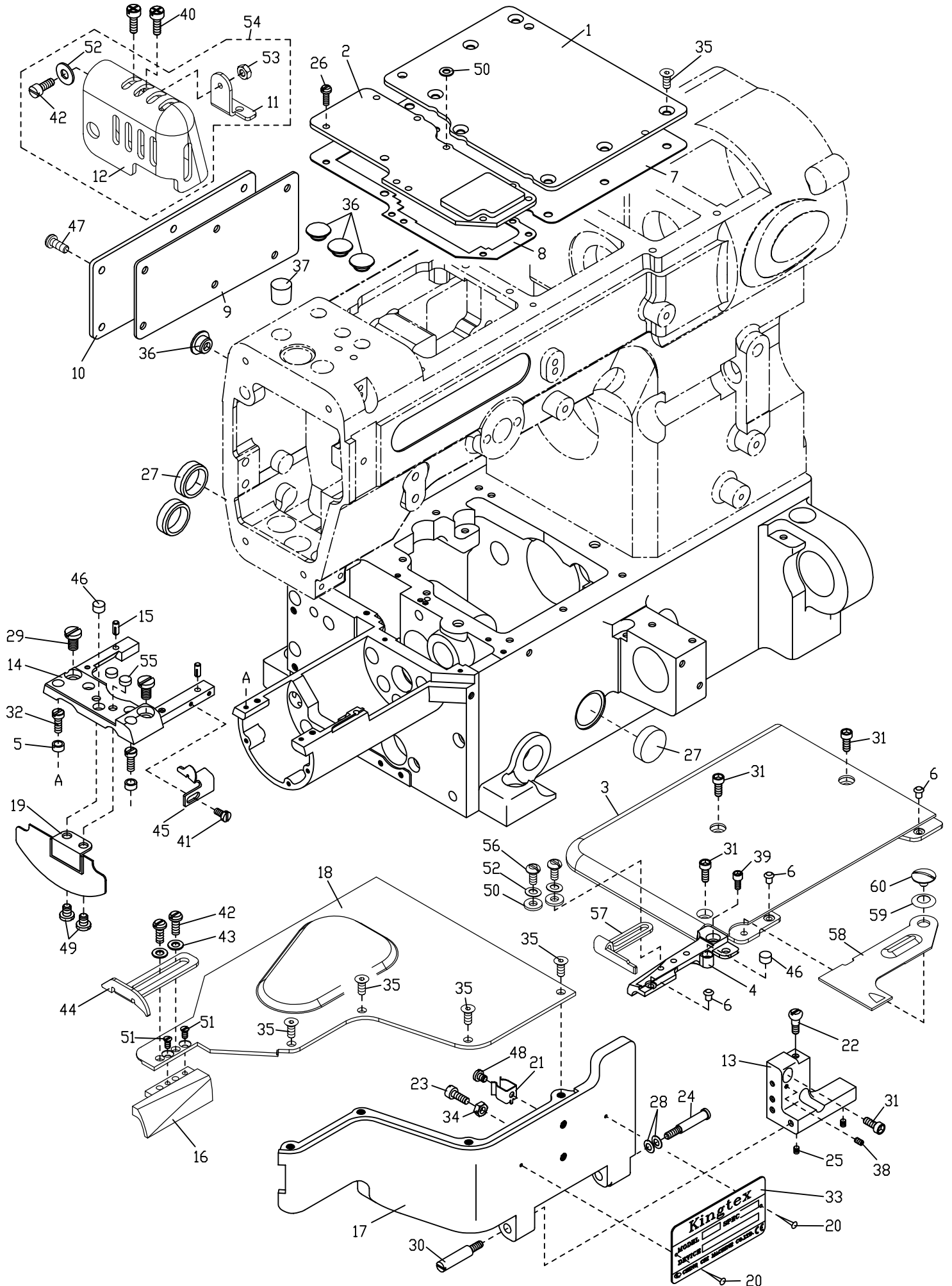
1. CTD9711 本體與外裝零件 Frame Components For CTD9711 (一)



1. CTD9711 本體與外裝零件 Frame Components For CTD9711 (一)

| 序號 Ref.No. | 物料編號 Parts No. | 名稱 Description | 單位用量 Amt .Req. |
|---------------|-------------------|--------------------------------------|-------------------|
| 1 | 22400001011 | 上軸蓋 Top Cover ----- | 1 |
| 2 | 8MC04281407D | 螺絲 Screw (CT0225 M4-0.7*14) ----- | 1 |
| 3 | 22400001032 | 油封 Gasket ----- | 1 |
| 4 | 22400001041 | 油鏡 Oil Window ----- | 1 |
| 5 | 22200002552 | 孔塞 Plug ----- | 1 |
| 6 | 2246110106 | 側蓋 Side Cover ----- | 1 |
| 7 | 22400001071 | 針棒蓋 Needle Cover ----- | 1 |
| 8 | 22400001081 | 油封 Gasket ----- | 1 |
| 9 | 22000001091 | 孔塞 Plug ----- | 1 |
| 10 | 2200000110 | 下座腳樁 Supporting Bar ----- | 4 |
| 11 | 22600001111 | 側蓋 Side Cover ----- | 1 |
| 12 | 2260000112 | 絞鏈 Hinge ----- | 1 |
| 13 | 22400001131 | 導風管 Guid Pipe----- | 1 |
| 14 | 2260000114 | 軸 Shaft ----- | 1 |
| 15 | ----- | ----- | - |
| 16 | 2260000113 | 下軸側蓋 Side Cover ----- | 1 |
| 17 | 2260000117 | 油封 Gasket ----- | 1 |
| 18 | 8MM05321209A | 螺絲 Screw (F05-24 M5-0.8*12) ----- | 5 |
| 19 | 8MB03200806K | 螺絲 Screw (CT0623 M3-0.5*8) ----- | 5 |
| 20 | 66620 | 鉚釘 Rivet ----- | 2 |
| 21 | 8MM10603016A | 螺絲 Serew (CT0138 M10-1.5*30) ----- | 4 |
| 22 | 8MM08508513B | 螺絲 Serew (CT960122 M8-1.25*30) ----- | 1 |
| 23 | 66480-14 | 機器號碼牌 Machine No. Plate ----- | 1 |
| 24 | 2260000124 | 油面鏡 Oil Sign Gauge----- | 1 |
| 25 | 66484-11 | 銘板 Plate ----- | 1 |
| 26 | 2220000126 | 油盤 Oil Reservoir ----- | 1 |
| 27 | 2200000127 | 油封 Gasket ----- | 1 |
| 28 | 2200000128 | 磁鐵 Magnet ----- | 1 |
| 29 | 2200000129 | 壓板 Holder ----- | 1 |
| 30 | 8MC04280807D | 螺絲 Screw (CT0130 M4-0.7*8) ----- | 1 |
| 31 | 2100000244 | 油封 Seal ----- | 1 |
| 32 | 8SM95281017A | 螺樁 Stud (SH0243 3/8"-28*10) ----- | 1 |
| 33 | ----- | ----- | - |
| 34 | 8MC04283307D | 螺絲 Screw (C80147 M4-0.7*33) ----- | 2 |
| 35 | 2246110135 | 車頭 Frame Unit ----- | 1 |
| 35-A | 2240000135A | 車頭上座 Upper Frame Unit ----- | 1 |
| 35-B | 2260000135B | 車頭下座 Lower Frame Unit ----- | 1 |
| 35-C | 2260000135C | 前車頭下座 From Lower Frame Unit ----- | 1 |
| 36 | 90ST0620 | 定位銷 Knock Pin (CT960138)----- | 2 |
| 37 | 2200000139 | 定位銷 Knock Pin ----- | 2 |
| 38 | 66485-9 | 上車頭銘板 Plate ----- | 1 |
| 39 | 8MC04281207D | 螺絲 Screw (CT0102 M4-0.7*12) ----- | 12 |
| 40 | 8MM08502013A | 螺絲 Screw (CT0106 M8-1.25*20) ----- | 3 |
| 41 | 66477-4 | 重量貼紙 Weight Paster ----- | 1 |

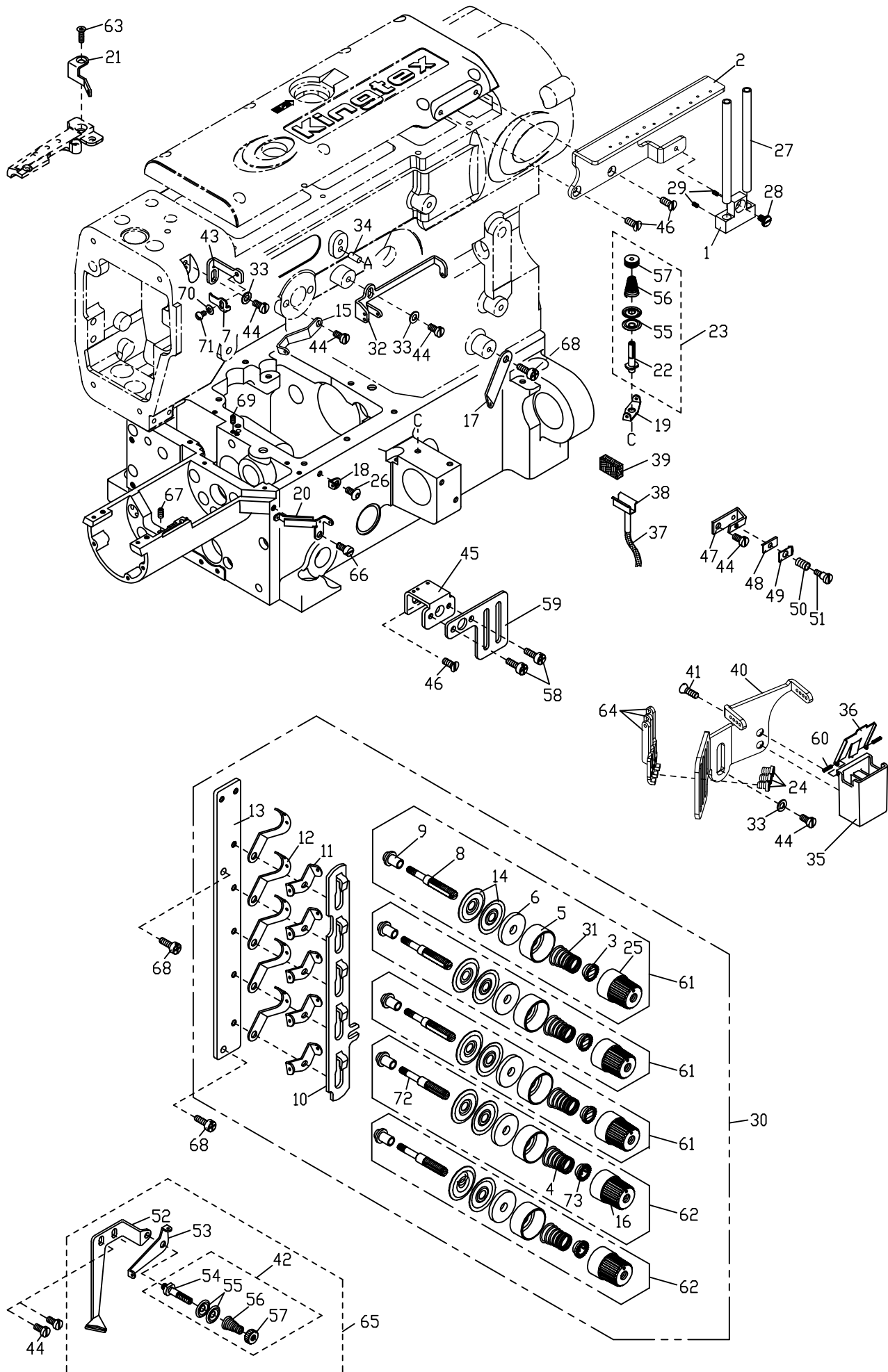
2. CTD9711 本體與外裝零件 Frame Components For CTD9711 (二)



2. CTD9711 本體與外裝零件 Frame Components For CTD9711 (二)

| 序號 Ref.No | 物料編號 Parts No. | 名稱 Description | 單位用量 Amt.Req. |
|--------------|-------------------|--|------------------|
| 1 | 2260000201 | 下軸內蓋 Lower Shaft Cover ----- | 1 |
| 2 | 2260000202 | 封蓋 Rear Cover ----- | 1 |
| 3 | 22681102011 | 下軸外蓋 Cloth Plate ----- | 1 |
| 4 | 22601101051 | 滑道 Guide ----- | 1 |
| 5 | 2260000205 | 隔環 Spacer ----- | 2 |
| 6 | 2260000206 | 減震橡膠 Rubber Cushion ----- | 3 |
| 7 | 22600002071 | 油封 Gasket ----- | 1 |
| 8 | 2260000208 | 油封 Gasket ----- | 1 |
| 9 | 22000002091 | 油封 Gasket ----- | 1 |
| 10 | 2200000210 | 上軸背蓋 Rear Cover ----- | 1 |
| 11 | 2270000211 | 基座 Base ----- | 1 |
| 12 | 22700002121 | 針棒護蓋 Needle Bar Protector ----- | 1 |
| 13 | 2260000213 | 前蓋座 Front Cover Support ----- | 1 |
| 14 | 22600002142 | 針板座 Needle Plate Seat ----- | 1 |
| 15 | 2260000215 | 定位銷 Knock Pin ----- | 2 |
| 16 | 22601101031 | 活動塊 Movable Block ----- | 1 |
| 17 | 2260000217 | 下座前蓋 Front Cover ----- | 1 |
| 18 | 22600002182 | 護線蓋 Cloth Plate ----- | 1 |
| 19 | 2260000219 | 油封 Gasket ----- | 1 |
| 20 | 66620 | 鉚釘 Rivet ----- | 2 |
| 21 | 2200000121 | 夾簧 Latch Spring ----- | 1 |
| 22 | 8MD04281408C | 螺椿 Stud (CT0222 M4-0.7*5) ----- | 1 |
| 23 | 8MB04281007K | 螺絲 Screw(CT1237 M4-0.7*10) ----- | 1 |
| 24 | 8MB04284209E | 螺椿 Stud (FT0244 M4-0.7*42) ----- | 1 |
| 25 | 8MN04280400A | 螺絲 Screw (CT0229 M4-0.7*4) ----- | 2 |
| 26 | 8MB85240806K | 螺絲 Screw (CT0635 M3.5-0.6*8) ----- | 7 |
| 27 | 22000002451 | 孔塞 Plug ----- | 3 |
| 28 | 2200000228 | 孟形墊圈 Disk Washer ----- | 2 |
| 29 | 8MB04280607A | 螺絲 Screw (CT350202 M4-0.7*6) ----- | 2 |
| 30 | 8MB04280605M | 螺椿 Stud (CT0230 M4-0.7*6) ----- | 1 |
| 31 | 8MM04281207A | 螺絲 Screw (CT0202 M4-0.7*12) ----- | 5 |
| 32 | 8MB03200705A | 螺絲 Screw (CT960232 M3-0.5*6.5) ----- | 2 |
| 33 | 66485-1 | 車型銘板 Model Plate ----- | 1 |
| 34 | 8MA04280307A | 螺帽 Nut (CT0238 M4-0.7*3) ----- | 1 |
| 35 | 8MQ04281008A | 螺絲 Screw (UT12A-04-05 M4-0.7*10) ----- | 11 |
| 36 | 22000001091 | 孔塞 Plug ----- | 5 |
| 37 | 22000002081 | 孔塞 Plug ----- | 1 |
| 38 | 8MN03200500A | 螺絲 Screw (STB0116 M3-0.5*5)----- | 1 |
| 39 | 8MM85241006A | 螺絲 Screw (CT960239 M3.5-0.6*10) ----- | 1 |
| 40 | 8MC04280807D | 螺絲 Screw (CT0130 M4-0.7*8)----- | 2 |
| 41 | 8MB75180505A | 螺絲 Screw (CTS0218 M2.5-0.45*5) ----- | 1 |
| 42 | 8MB04280807K | 螺絲 Screw (CT0215 M4-0.7*8) ----- | 3 |
| 43 | 90PW040 | 墊圈 Washer ----- | 2 |
| 44 | 22601101011 | 右導模 Fabric Guide (R)----- | 1 |
| 45 | 22601101021 | 左導模 Fabric Guide (L)----- | 1 |
| 46 | 2270000202 | 磁鐵 Magnet ----- | 2 |
| 47 | 8MC04281007D | 螺絲 Screw (CT0113 M4-0.7*10)----- | 6 |
| 48 | 8MC04280507D | 螺絲 Screw (CT0122 M4-0.7*5) ----- | 1 |
| 49 | 8MB85240505A | 螺絲 Screw (PS010106 M3.5-0.6*5) ----- | 2 |
| 50 | 2100000223 | 墊圈 Washer ----- | 3 |
| 51 | 8ME03200506A | 螺絲 Screw (CT0341 M3-0.5*4.5) ----- | 2 |
| 52 | 90DW040 | 墊圈 Washer ----- | 3 |
| 53 | 8MA04280207A | 螺帽 Nut (STC02-01-02 M4-0.7*2.5) ----- | 1 |
| 54 | 227A0000259 | 針棒護蓋組 Needle Bar Protector Asm. ----- | 1 |
| 55 | 2260000255 | 磁鐵 Magnet ----- | 2 |
| 56 | 8MB85240807K | 螺絲 Screw (FT0555 M3.5-0.6*8) ----- | 2 |
| 57 | 2260110106 | 導模 Fabric Guide ----- | 1 |
| 58 | 22601101041 | 防塵蓋 Dust Cover ----- | 1 |
| 59 | 2200000124 | 孟形墊圈 Disc Washer ----- | 1 |
| 60 | 8MC04280512B | 螺絲 Screw (C90232 M4.5-0.7*5) ----- | 1 |

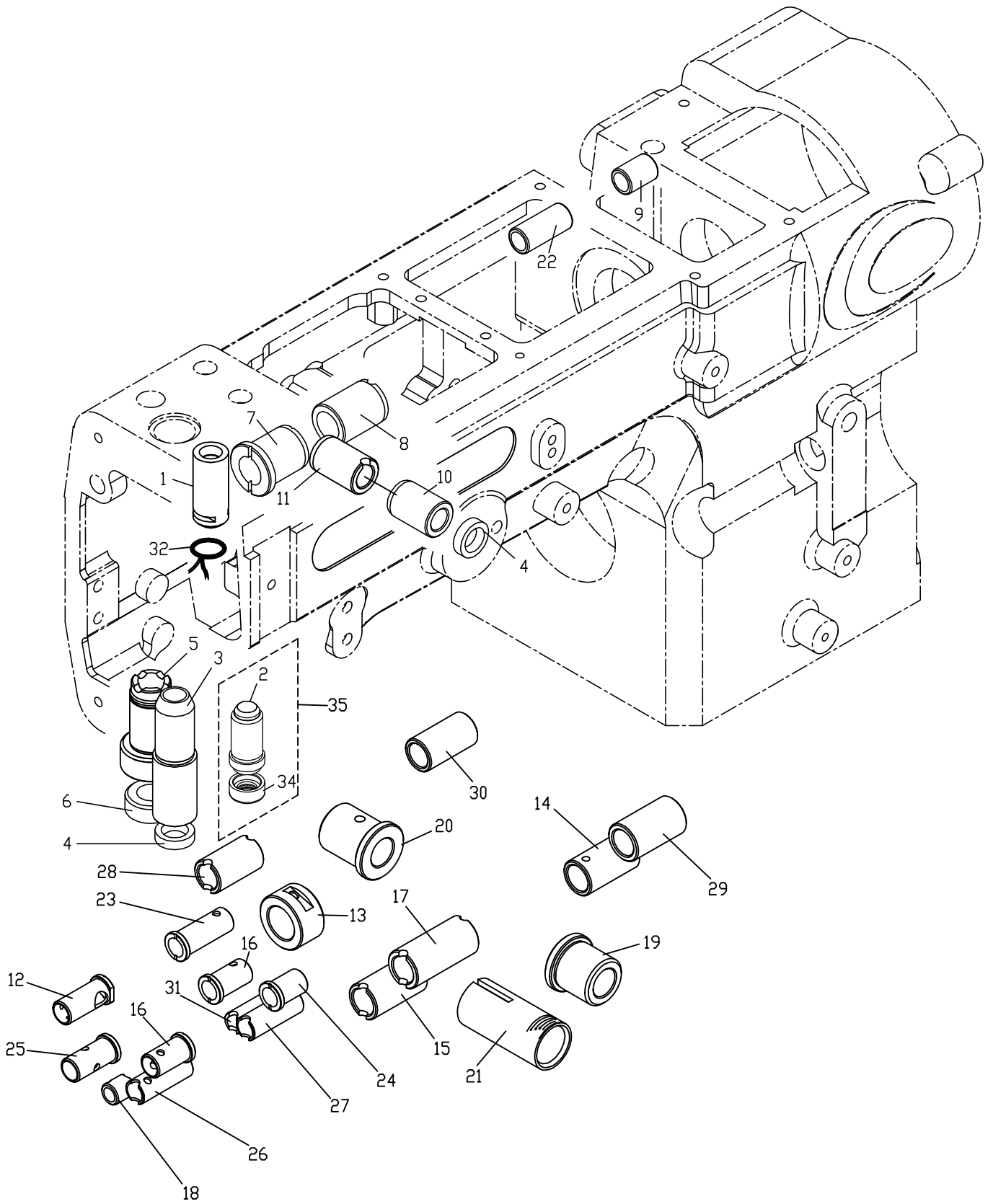
3. CTD9711 / CXD2711 導線與張力調整零件 Thread Guide Tension Components



3. CTD9711 / CXD2711 導針與張力調整零件 Thread Guide And Tension Components

| 序號 Ref.No. | 物料編號 Parts No. | 名稱 Description | 單位用量 Amt. Req. |
|---------------|-------------------|--|-------------------|
| 1 | 2240000301 | 導線座 Thread Guide Holder ----- | 1 |
| 2 | 22400003021 | 導線座 Thread Guide Holder ----- | 1 |
| 3 | 2200000303 | 套管 Bushing ----- | 3 |
| 4 | 2100041131 | 彈簧 Spring (Yellow) (SH1131)----- | 2 |
| 5 | 2200000305 | 彈簧座 Spring Seat ----- | 5 |
| 6 | 2100001127 | 羊毛氈 Felt ----- | 5 |
| 7 | 2600000307 | 導線 Thread Guide ----- | 1 |
| 8 | 22000003081 | 螺樁 Stud ----- | 3 |
| 9 | 22000003091 | 隔環 Spacer ----- | 5 |
| 10 | 4UTB0004191 | 鬆線滑板 Release Wedge ----- | 1 |
| 11 | 2200000311 | 導線 Thread Guide ----- | 5 |
| 12 | 2200000312 | 導線 Thread Guide ----- | 5 |
| 13 | 4UTB000420 | 張力控制組座 Tension Post Support ----- | 1 |
| 14 | 2100001126 | 張力控制盤 Tension Disc ----- | 10 |
| 15 | 2210000317 | 導線 Thread Guide ----- | 1 |
| 16 | 2100001121A | 張力調整螺帽 Tension Nut (Yellow) (SH1121)----- | 2 |
| 17 | 2200000317 | 導線 Thread Guide ----- | 1 |
| 18 | 2270000319 | 導線 Thread Guide ----- | 1 |
| 19 | 2260000319 | 導線 Thread Guide ----- | 1 |
| 20 | 2260000320 | 導線 Thread Guide ----- | 1 |
| 21 | 2260000321 | 導線 Thread Guide ----- | 1 |
| 22 | 2260000322 | 螺樁 Stud ----- | 1 |
| 23 | 226A0000323 | 張力控制組 Thread Retainer Asm ----- | 1 |
| 24 | 8MB03200405A | 螺絲 Screw (FT0548 M3-0.5*4) ----- | 3 |
| 25 | 2100001121 | 張力調整螺帽 Tension Nut (Red) (SH1121)----- | 3 |
| 26 | 8MP04280808A | 螺絲 Screw (MT0235 M4-0.7*8) ----- | 1 |
| 27 | 2200000327 | 導線管 Thread Guide Pipe ----- | 2 |
| 28 | 8MB04280608A | 螺絲 Screw (UTB0130 M4-0.7*6) ----- | 1 |
| 29 | 8MN03200300A | 螺絲 Screw (CT0115 M3-0.5*3) ----- | 2 |
| 30 | 224A00003171 | 鬆線組 Therad Tension Mechanism ----- | 1 |
| 31 | 2100001123 | 彈簧 Spring (Red) (SH1123)----- | 3 |
| 32 | 2210000326 | 導線 Thread Guide ----- | 1 |
| 33 | 2100000223 | 墊圈 Washer ----- | 3 |
| 34 | 90ST0410 | 定位銷 Knock Pin ----- | 1 |
| 35 | 22000003351 | 油杯 Cooler Oil Tank ----- | 1 |
| 36 | 2200000336 | 油杯蓋 Cooler Oil Tank Cover ----- | 1 |
| 37 | 66800 | 油線 Oil Wick ----- | 1 |
| 38 | 2200000338 | 線夾 Wick Clamp ----- | 1 |
| 39 | 2200000339 | 羊毛氈 Felt ----- | 1 |
| 40 | 2270000340 | 導線 Thread Guide ----- | 1 |
| 41 | 8TE03440806A | 螺絲 Screw ----- | 2 |
| 42 | 227A0000342 | 張力控制組 Thread Retainer Asm ----- | 1 |
| 43 | 2600000343 | 導線 Thread Guide ----- | 1 |
| 44 | 8MB04280807K | 螺絲 Screw (CT0215 M4-0.7*8) ----- | 7 |
| 45 | 2200000345 | 導線 Thread Guide ----- | 1 |
| 46 | 8ME04280708A | 螺絲 Screw (CT0206 M4-0.7*7) ----- | 3 |
| 47 | 2200000347 | 張力控制組座 Thread Retainer Support ----- | 1 |
| 48 | 2200000348 | 針線控制板 Thread Guide Plate ----- | 1 |
| 49 | 2200000349 | 針線控制壓板 Tension Control plate ----- | 1 |
| 50 | 22000003501 | 彈簧 Spring ----- | 1 |
| 51 | 8MC03200807G | 螺樁 Stud (CT0351 M3-0.5*8) ----- | 1 |
| 52 | 2200000352 | 導線 Thread Guide ----- | 1 |
| 53 | 2200000353 | 導線 Thread Guide ----- | 1 |
| 54 | 2200000354 | 螺樁 Stud ----- | 1 |
| 55 | 2200000355 | 張力控制盤 Tension Disc ----- | 4 |
| 56 | 2200000356 | 彈簧 Spring ----- | 2 |
| 57 | 2200000357 | 螺帽 Nut ----- | 2 |
| 58 | 8MC04280507D | 螺絲 Screw (CT0122 M4-0.7*5) ----- | 2 |
| 59 | 2200000359 | 揚線臂護線罩 Take-up Arm Protect ----- | 1 |
| 60 | 90SP0206T | 彈簧銷 Spring Pin ----- | 2 |
| 61 | 231A0001922 | 張力調整螺帽 Tension Asm. (Red) ----- | 3 |
| 62 | 220A0000315 | 張力調整螺帽 Tension Asm. (Yellow) ----- | 2 |
| 63 | 8MQ85241106A | 螺絲 Screw (CT960314 M3.5-0.6*11)----- | 1 |
| 64 | 2270000364 | 導線桿 Thread Guide ----- | 3 |
| 65 | 220A0000365 | 鬆線組 Therad Tension Mechanism ----- | 1 |
| 66 | 8MB04280607K | 螺絲 Screw (MT0233 M4-0.7*6) ----- | 1 |
| 67 | 8MN04280400A | 螺絲 Screw (CT0229 M4-0.7*4) ----- | 1 |
| 68 | 8MC04280807D | 螺絲 Screw (CT0130 M4-0.7*8) ----- | 3 |
| 69 | 8MN85240300A | 螺絲 Screw (UH0302 M3.5-0.6*3) ----- | 1 |
| 70 | 90DW030 | 碟形墊圈 Disk Washer ----- | 1 |
| 71 | 8MB03200506K | 螺絲 Screw (CT0525 M3-0.5*5) ----- | 1 |
| 72 | 22000003611 | 螺樁 Stud ----- | 2 |
| 73 | 2100001122 | 止滑齒輪 Bush ----- | 2 |

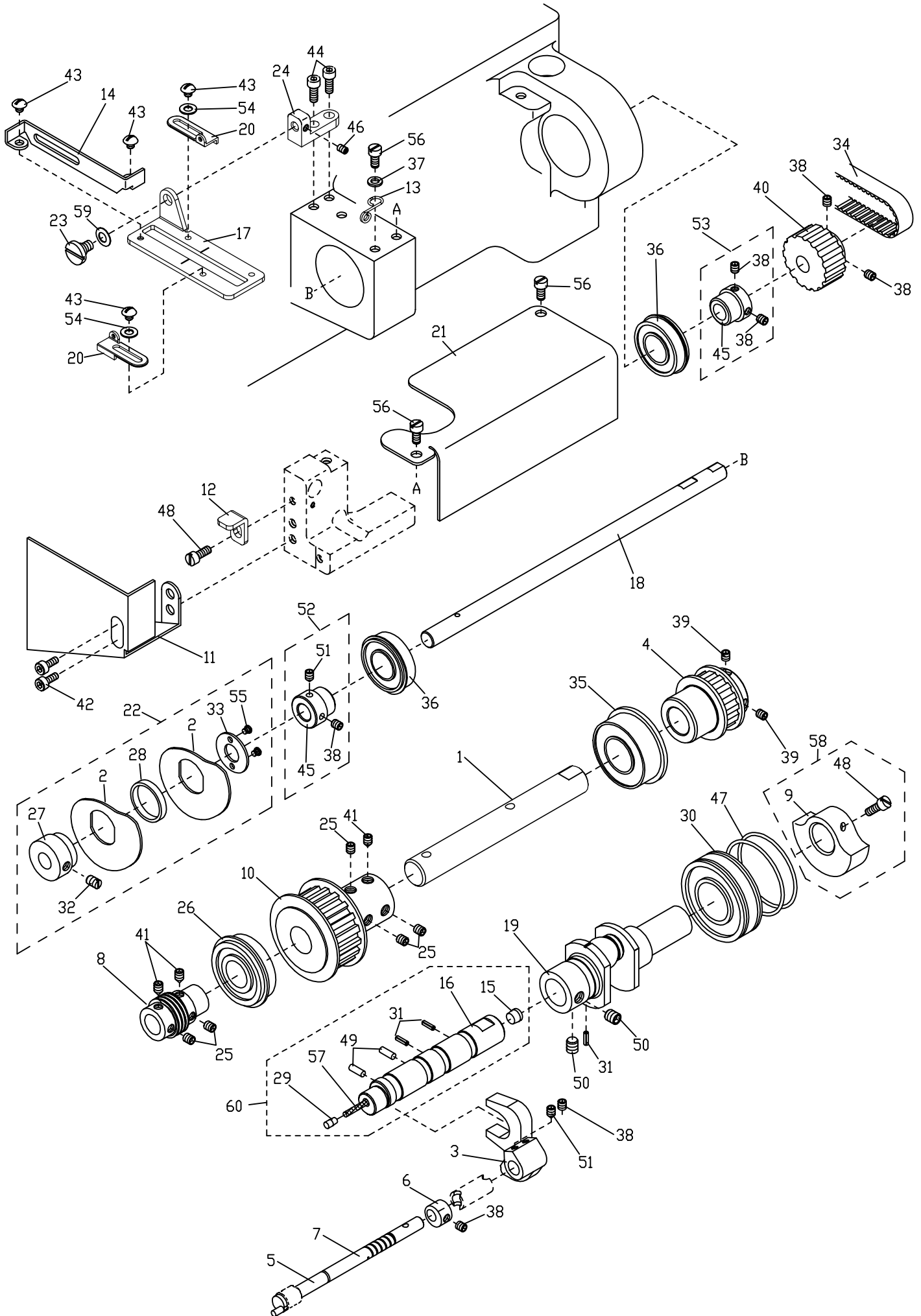
4. CTD9711 軸襯與油封 Bushing And Seal For CTD9711



4. CTD9711 軸襯與油封 Bushing And Seal For CTD9711

| 序號 Ref.No. | 物料編號 Parts No. | 名稱 Description | 單位用量 Amt. Req. |
|---------------|-------------------|-------------------------------|-------------------|
| 1 | 2210000401 | 軸襯 Bushing ----- | 1 |
| 2 | 22000004021 | 軸襯 Bushing ----- | 1 |
| 3 | 2200000403 | 軸襯 Bushing ----- | 1 |
| 4 | 2200000404 | 油封 Oil Seal ----- | 2 |
| 5 | 22200004051 | 軸襯 Bushing ----- | 1 |
| 6 | 2200000406 | 油封 Oil Seal ----- | 1 |
| 7 | 2210000408 | 軸襯 Bushing ----- | 1 |
| 8 | 2200000408 | 軸襯 Bushing ----- | 1 |
| 9 | 2240000409 | 軸襯 Bushing ----- | 1 |
| 10 | 22000004101 | 軸襯 Bushing ----- | 1 |
| 11 | 2200000411 | 軸襯 Bushing ----- | 1 |
| 12 | 2260000412 | 軸襯 Bushing ----- | 1 |
| 13 | 2260000413 | 軸襯 Bushing ----- | 1 |
| 14 | 2260000414 | 軸襯 Bushing ----- | 1 |
| 15 | 2260000415 | 軸襯 Bushing ----- | 1 |
| 16 | 2260000416 | 軸襯 Bushing ----- | 2 |
| 17 | 2260000417 | 軸襯 Bushing ----- | 1 |
| 18 | 2660000418 | 軸襯 Bushing ----- | 1 |
| 19 | 22000004191 | 軸襯 Bushing ----- | 1 |
| 20 | 22000004201 | 軸襯 Bushing ----- | 1 |
| 21 | 2200000421 | 刻線套管 Graduation Bushing ----- | 1 |
| 22 | 2240000422 | 軸襯 Bushing ----- | 1 |
| 23 | 2260000423 | 軸襯 Bushing ----- | 1 |
| 24 | 2260000424 | 軸襯 Bushing ----- | 1 |
| 25 | 2260000425 | 軸襯 Bushing ----- | 1 |
| 26 | 2260000426 | 軸襯 Bushing ----- | 1 |
| 27 | 2260000427 | 軸襯 Bushing ----- | 1 |
| 28 | 2260000428 | 軸襯 Bushing ----- | 1 |
| 29 | 2260000429 | 軸襯 Bushing ----- | 1 |
| 30 | 2260000430 | 軸襯 Bushing ----- | 1 |
| 31 | 2260000431 | 軸襯 Bushing ----- | 1 |
| 32 | 66800 | 油線 Oil Wick ----- | 1 |
| 33 | ----- | ----- | - |
| 34 | 2270001017 | 橡膠環 Rubber Washer ----- | 1 |
| 35 | 227A0000423 | 軸襯組 Bushing Asm. ----- | 1 |

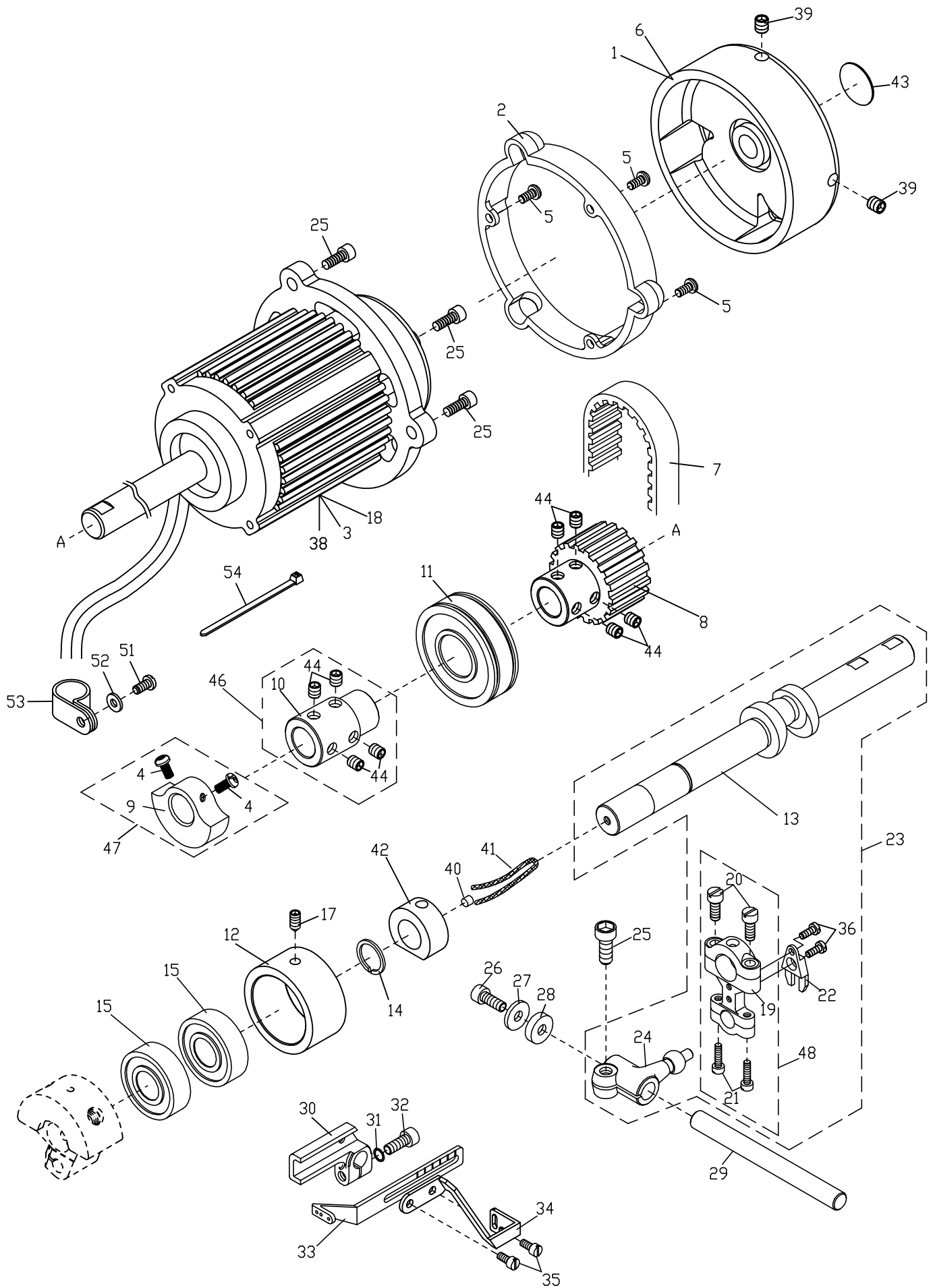
5. CTD9711 / CTU9711 下軸與相關零件 Lower Main Shaft Components



5. CTD9711 / CTU9711 下軸與相關零件 Lower Main Shaft Components

| 序號 Ref.No. | 物料編號 Parts No. | 名稱 Description | 單位用量 Amt.Req. |
|---------------|-------------------|--|------------------|
| 1 | 2246110501 | 軸 Shaft ----- | 1 |
| 2 | 2200000502 | 揚線凸輪片 Looper Thread Takeup Cam ----- | 2 |
| 3 | 2260000503 | 曲柄 Drive Arm ----- | 1 |
| 4 | 2220000504 | 齒形皮帶輪 Timeing Pulley ----- | 1 |
| 5 | 2660000505 | 軸 Shaft ----- | 1 |
| 6 | 2260000506 | 定位環 Collar ----- | 1 |
| 7 | 2660000507 | 軸 Shaft ----- | 1 |
| 8 | 2200000508 | 蝸桿 Worm ----- | 1 |
| 9 | 2200000509 | 平衡錘 Balance Weight ----- | 1 |
| 10 | 2240000505 | 齒形皮帶輪 Timeing Pulley ----- | 1 |
| 11 | 2260000511 | 凸輪護蓋 Cam Cover ----- | 1 |
| 12 | 22600005121 | 定位片 Stopper ----- | 1 |
| 13 | 22600005131 | 彈簧 Spring ----- | 1 |
| 14 | 2260000514 | 導線 Thread Guide ----- | 1 |
| 15 | 2200000515 | 孔塞 Plug ----- | 1 |
| 16 | 2260000516 | 軸 Shaft ----- | 1 |
| 17 | 22600005171 | 導線固定板 Thread Guide Seat ----- | 1 |
| 18 | 2260000518 | 軸 Shaft ----- | 1 |
| 19 | 2260000519 | 曲軸 Crank Shaft ----- | 1 |
| 20 | 22600005201 | 導線 Thread Guide ----- | 2 |
| 21 | 2260000521 | 護蓋 Cover ----- | 1 |
| 22 | 226A0000522 | 揚線凸輪組 Looper Thread Takeup Cam Asm ----- | 1 |
| 23 | 8MB04280608E | 螺樁 Stud (C90542 M4-0.7*6.2)----- | 1 |
| 24 | 2260000524 | 固定座 Bracket ----- | 1 |
| 25 | 8MN06400600A | 螺絲 Screw (CT0244 M6-1*6) ----- | 5 |
| 26 | 90BB2047144 | 滾珠軸承 Ball Bearing ----- | 1 |
| 27 | 2260000527 | 揚線凸輪座 Holder ----- | 1 |
| 28 | 22000005221 | 隔環 Spacer ----- | 1 |
| 29 | 2200001029 | 孔塞 Plug ----- | 1 |
| 30 | 90BB2042122 | 滾珠軸承 Ball Bearing ----- | 1 |
| 31 | 90SP0206 | 彈簧銷 Pin ----- | 3 |
| 32 | 8MH05320400A | 螺絲 Screw (CT0523 M5-0.8*4) ----- | 2 |
| 33 | 2220000533 | 壓板 Plate ----- | 1 |
| 34 | 90TB3033GT | 齒形皮帶 Timeing Belt ----- | 1 |
| 35 | 90BB2552154 | 滾珠軸承 Ball Bearing ----- | 1 |
| 36 | 90BB152807 | 滾珠軸承 Ball Bearing ----- | 2 |
| 37 | 240003013 | 墊圈 Washer ----- | 1 |
| 38 | 8MN04280400A | 螺絲 Screw (CT0229 M4-0.7*4) ----- | 7 |
| 39 | 8MN05320500E | 螺絲 Screw (CT0903 M5-0.8*5) ----- | 2 |
| 40 | 2220000540 | 齒形皮帶輪 Timeing Pulley ----- | 1 |
| 41 | 8MN06400800C | 螺絲 Screw (FT0502 M6-1*8) ----- | 3 |
| 42 | 8MM04280507A | 螺絲 Screw (UH0172 M4-0.7*5) ----- | 2 |
| 43 | 8MD03200306A | 螺絲 Screw (CT0242 M3-0.5*3) ----- | 4 |
| 44 | 8MM04280807A | 螺絲 Screw (MT0124 M4-0.7*8) ----- | 2 |
| 45 | 2270000545 | 套管接頭 Joint ----- | 2 |
| 46 | 8MN03200300A | 螺絲 Screw (CT0115 M3-0.5*3) ----- | 1 |
| 47 | 2200000547 | O形油環 O Ring ----- | 2 |
| 48 | 8MB04280807K | 螺絲 Screw (CT0215 M4-0.7*8) ----- | 3 |
| 49 | 66801 | 油線 Oil Wick ----- | 2 |
| 50 | 8MN06400500A | 螺絲 Screw (CT0513 M6-1*5) ----- | 2 |
| 51 | 8MN04280500C | 螺絲 Screw (FT1222 M4-0.7*5) ----- | 2 |
| 52 | 226A0000552 | 套管接頭組 Joint Asm ----- | 1 |
| 53 | 227A0000552 | 套管接頭組 Joint Asm ----- | 1 |
| 54 | 90PW030 | 墊圈 Washer ----- | 2 |
| 55 | 8MB03200405A | 螺絲 Screw (FT0548 M3-0.5*4) ----- | 2 |
| 56 | 8MB04280607K | 螺絲 Screw (MT0233 M4-0.7*6) ----- | 3 |
| 57 | 66800 | 油線 Oil Wick ----- | 1 |
| 58 | 222A0000647 | 平衡錘組 Balance Weight Asm ----- | 1 |
| 59 | 2200000228 | 碟形墊圈 Disk Washer ----- | 1 |
| 60 | 226A0000560 | 下軸組 Lower Shaft Set. ----- | 1 |

6. CTD9000 / CTD9711 / CXD2711 上軸與相關零件 Upper Main Shaft Components



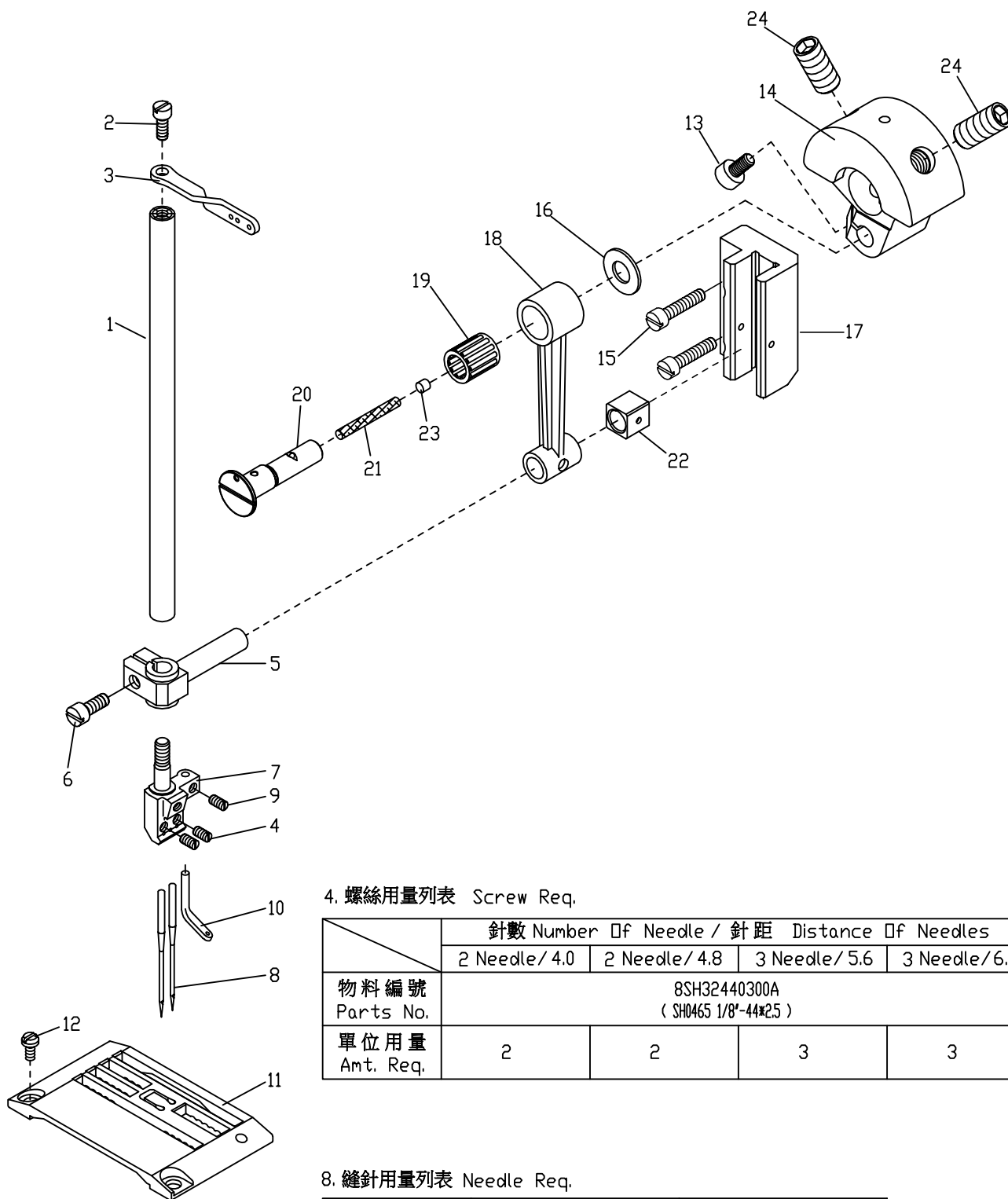
6. CTD9000/CTD9711/CXD2711 上軸與相關零件 Upper Main Shaft Components

| 序號 Ref.No. | 物料編號 Parts No. | 名稱 Description | 單位用量 Amt. Req. |
|---------------|-------------------|-------------------------------------|-------------------|
| 1 | 2240000601 | 手輪 Handwheel ----- | 1 |
| 2 | 2240000602 | 護蓋 Cover ----- | 1 |
| 3 | 22400006032 | 迷你馬達 Mini Motor ----- | 1 |
| 4 | 8MB04280807K | 螺絲 Screw(CT0215 M4-0.7*8) ----- | 2 |
| 5 | 8MP04280808A | 螺絲 Screw (MT0235 M4-0.7*8) ----- | 3 |
| 6 | 2240000601S | 手輪 Handwheel ----- | 1 |
| 7 | 2200000607 | 齒形皮帶 Timeing Belt ----- | 1 |
| 8 | 22400006081 | 齒形皮帶輪 Timeing Pulley ----- | 1 |
| 9 | 2200000509 | 平衡錘 Balance Weight ----- | 1 |
| 10 | 2200000610 | 套管接頭 Joint ----- | 1 |
| 11 | 90BB204714 | 滾珠軸承 Ball Bearing ----- | 1 |
| 12 | 2240000612 | 軸承套筒 Bearing Sleeve ----- | 1 |
| 13 | 2210000613 | 曲軸 Crank Shaft ----- | 1 |
| 14 | 90SCR150 | C形軸用扣環 C Ring ----- | 1 |
| 15 | 90BB1535115 | 滾珠軸承 Ball Bearing ----- | 2 |
| 16 | ----- | ----- | - |
| 17 | 8MN06400800C | 螺絲 Screw(FT05-02 M6-1*8) ----- | 1 |
| 18 | 2240000603S | 迷你馬達 Mini Motor ----- | 1 |
| 19 | 2200000619 | 連桿 Connecting Rod ----- | 1 |
| 20 | 8MB95301407K | 螺絲 Screw(CT0620 M4.5-0.75*14) ----- | 2 |
| 21 | 8MB85241006K | 螺絲 Screw(CT0621 M3.5-0.6*10) ----- | 2 |
| 22 | 2200000622 | 定向導軌 Orient Guide ----- | 1 |
| 23 | 221A0000653 | 曲軸組 Crank Shaft Asm. ----- | 1 |
| 24 | 2200000624 | 曲柄 Ball Lever ----- | 1 |
| 25 | 8MM06401610A | 螺絲 Screw (CT0625 M6-1*16) ----- | 4 |
| 26 | 8MM05321009A | 螺絲 Screw (CT0626 M5-08*10) ----- | 1 |
| 27 | 2200000627 | 墊圈 Washer ----- | 1 |
| 28 | 2200000628 | 隔環 Spacer ----- | 1 |
| 29 | 2200000629 | 軸 Shaft ----- | 1 |
| 30 | 2200000630 | 承座 Bracket ----- | 1 |
| 31 | 90SW050 | 彈簧墊圈 Spring Washer ----- | 1 |
| 32 | 8MM05321409A | 螺絲 Screw (CT0632 M5-0.8*14) ----- | 1 |
| 33 | 2200000633 | 針線揚線桿 Thread Take-up ----- | 1 |
| 34 | 2220000634 | 裝飾線揚線桿 Thread Take-up ----- | 1 |
| 35 | 8MB85240807K | 螺絲 Screw (FT0555 M3.5-0.6*8) ----- | 2 |
| 36 | 8MB03200806A | 螺絲 Screw (CT900623 M3-0.5*8) ----- | 2 |
| 37 | ----- | ----- | - |
| 38 | 2240000603M | 迷你馬達 Mini Motor ----- | 1 |
| 39 | 8MN06400800A | 螺絲 Screw (CT0549 M6-1*8) ----- | 2 |
| 40 | 2100001404 | 孔塞 Plug (S14-04)----- | 1 |
| 41 | 66800 | 油線 Oil Wick ----- | 1 |
| 42 | 2240000642 | 聚油環 Oil Sleeve ----- | 1 |
| 43 | 66485-10 | 銘板 Plate ----- | 1 |
| 44 | 8MN06400600A | 螺絲 Screw(CT0244 M6-1*6) ----- | 8 |
| 45 | ----- | ----- | - |
| 46 | 222A0000646 | 套管接頭組 Joint Asm ----- | 1 |
| 47 | 222A0000647 | 平衡錘組 Balance Weight Asm ----- | 1 |
| 48 | 222A0000648 | 連桿組 Connecting Rod Asm ----- | 1 |
| 49 | ----- | ----- | - |
| 50 | ----- | ----- | - |
| 51 | 8MB04280807K | 螺絲 Screw (C02-15 M4-0.7*8)----- | 1 |
| 52 | 2100000223 | 墊圈 Washer ----- | 1 |
| 53 | 4MN0210108 | 線夾 Cord Clamp----- | 1 |
| 54 | 4UTB020306 | 束線Plastic Binding Wire----- | 1 |

馬達選購 (Motor Optional) :

| 廠商Company | 序號Ref. No. | |
|-------------------|------------|----|
| 賀欣 Ho hsing moto | 1 | 3 |
| 松慶規格 Shokei motor | 6 | 18 |
| 永輝興 ISM | 1 | 38 |

7. CT9711 / CTD9711 / CXD2711 針棒與相關零件 Needle Bar Components



4. 螺絲用量列表 Screw Req.

| | 針數 Number of Needle / 針距 Distance of Needles | | | |
|-------------------|--|----------------|----------------|----------------|
| | 2 Needle / 4.0 | 2 Needle / 4.8 | 3 Needle / 5.6 | 3 Needle / 6.4 |
| 物料編號 Parts No. | 8SH32440300A (SH0465 1/8"-44*2.5) | | | |
| 單位用量 Amt. Req. | 2 | 2 | 3 | 3 |

8. 縫針用量列表 Needle Req.

| | | |
|-------------|-------------------|-------------------|
| 針號 UY128GAS | CT □97□□ -0-0240M | CT □97□□ -0-03□□M |
| 66725-11-5 | CT □97□□ -0-240M | CT □97□□ -0-3□□M |
| 針數 Needle | 2 | 3 |

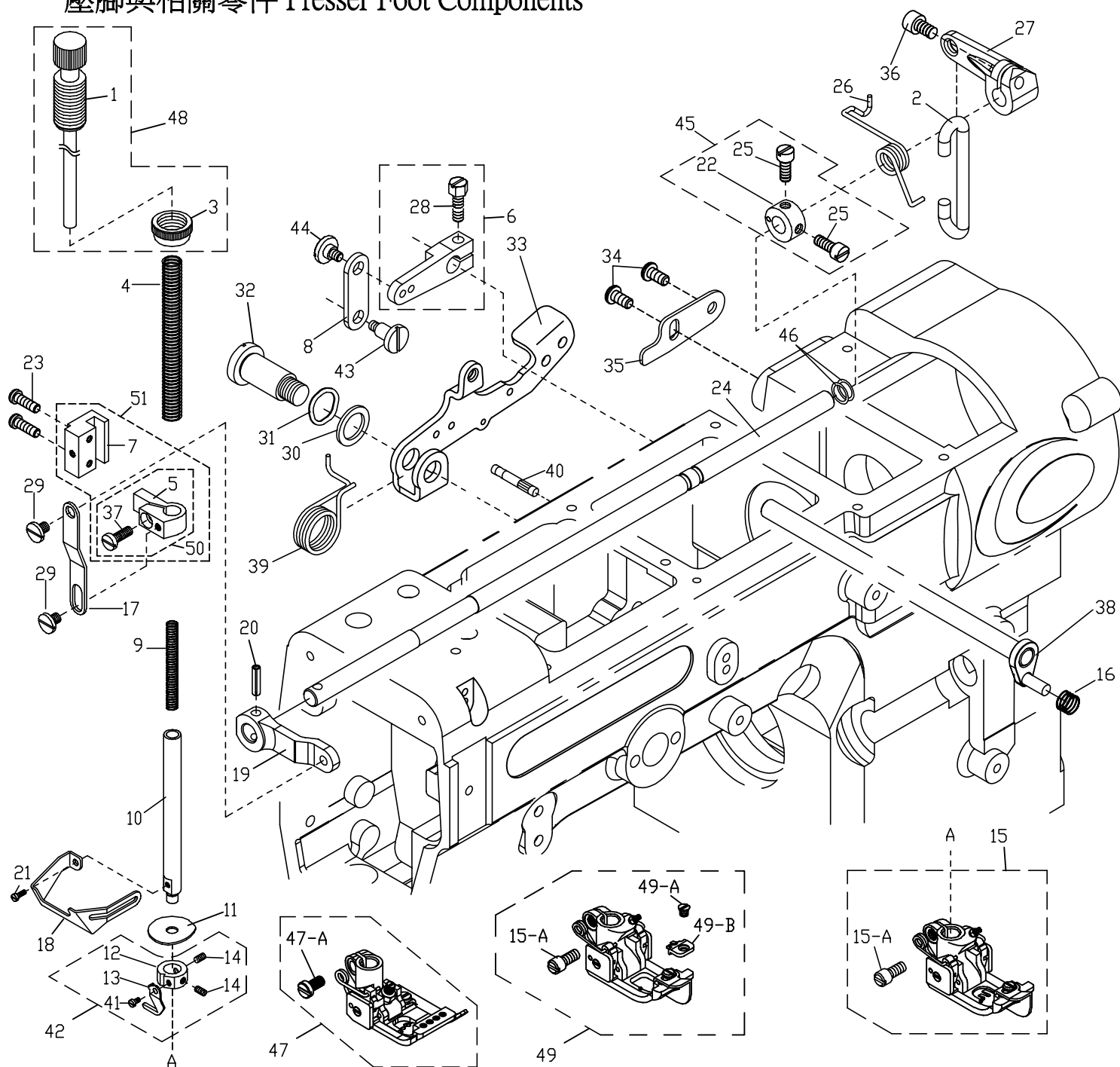
| 序號 Ref.No. | 名稱 Description | 針數 Number of Needle / 針距 Distance of Needles | | | |
|---------------|--------------------|--|----------------|----------------|----------------|
| | | 2 Needle / 4.0 | 2 Needle / 4.8 | 3 Needle / 5.6 | 3 Needle / 6.4 |
| 7 | 針留 needle clamp | 5220NC00400 | 5220NC00480 | 5227NC00560 | 5227NC00640 |
| 11 | 針板 Needle Plate | 5226TP11403 | 5226TP11483 | 5226TP11563 | 5226TP11643 |

7. CT9711 / CTD9711 / CXD2711 針棒與相關零件 Needle Bar Components

| 序號 Ref.No. | 物料編號 Parts No. | 名稱 Description | 單位用量 Amt. Req. |
|---------------|-------------------|--|-------------------|
| 1 | 22000007011 | 針棒 Needle Bar ----- | 1 |
| 2 | 8MB85240607K | 螺絲 Screw (CT0637 M3.5-0.6*6) ----- | 1 |
| 3 | 2200000703 | 導線 Thread Guide ----- | 1 |
| 4 | ----- | 螺絲 Screw (See Left Page) ----- | - |
| 5 | 2210000705 | 針棒驅動銷 Needle Bar Clamp ----- | 1 |
| 6 | 8MB95301107K | 螺絲 Screw (CT0706 M4.5-0.75*11) ----- | 1 |
| 7 | ----- | 針留 Needle clamp (See Left Page) ----- | 1 |
| 8 | ----- | 針 Needle --(UY128GAS See Left Page)----- | - |
| 9 | 8SH32440300A | 螺絲 Screw (SH0465 1/8"-44*2.5) ----- | 1 |
| *10 | 2200000710 | 導線 Thread Guide ----- | 1 |
| 11 | ----- | 針板 Needle Plate (See Left Page) ----- | 1 |
| 12 | 8MB03200506K | 螺絲 Screw (CT0525 M3-0.5*5) ----- | 2 |
| 13 | 8MM05321009A | 螺絲 Screw (C06-26 M5-0.8*10) ----- | 1 |
| 14 | 2270000714 | 平衡錘 Balance Weight ----- | 1 |
| 15 | 8MB04281607A | 螺絲 Screw (CT0724 M4-0.7*16) ----- | 2 |
| 16 | 2270000716 | 墊圈 Washer ----- | 1 |
| 17 | 2210000727 | 滑道 GuideBlock ----- | 1 |
| 18 | 2210000720 | 連桿 Connecting Rod ----- | 1 |
| 19 | 90NB081113 | 滾針軸承 Needle Bearing ----- | 1 |
| 20 | 2270000720 | 曲柄銷 Rod Pin ----- | 1 |
| 21 | 66800 | 油線 Oil Wick ----- | 1 |
| 22 | 2200000722 | 滑塊 Slide Block ----- | 1 |
| 23 | 2100001404 | 孔塞 Plug ----- | 1 |
| 24 | 8MN08401600E | 螺絲 Screw (CT0618 M8-1*16) ----- | 2 |

* 具有上飾線 With top cover thread

8. CX2000 / CTD9000 / CTD9711 / CXD2000 / CXM2000 / CXD2711 壓腳與相關零件 Presser Foot Components



CX2000 / CTD9000 / CXD2000 / CXM2000 機型用

| 序號 Ref.No. | 名稱 Description | 針數 Number Of Needle / 針距 Distance Of Needles | | | | |
|---------------|------------------------|--|--------------|--------------|--------------|--------------|
| | | 2 Needle/4.0 | 2 Needle/4.8 | 3 Needle/4.8 | 3 Needle/5.6 | 3 Needle/6.4 |
| 15 | 壓腳 Presser foot asm | 5220PF00404 | 5220PF00484 | 5220PF00485 | 5220PF00564 | 5220PF00644 |

CTD9711 / CXD2711 機型用

| 序號 Ref.No. | 名稱 Description | 針數 Number Of Needle / 針距 Distance Of Needles | | | |
|---------------|------------------------|--|--------------|--------------|--------------|
| | | 2 Needle/4.0 | 3 Needle/4.8 | 3 Needle/5.6 | 3 Needle/6.4 |
| 47 | 壓腳 Presser foot asm | 5222PF11400 | 5222PF11480 | 5222PF11560 | 5222PF11640 |

特註品 (CX2000 / CTD9000 / CXD2000 / CXM2000) 機型用

| 序號 Ref.No. | 名稱 Description | 針數 Number Of Needle / 針距 Distance Of Needles | | | | |
|---------------|----------------------------|--|--------------|--------------|--------------|--------------|
| | | 2 Needle/4.0 | 2 Needle/4.8 | 3 Needle/4.8 | 3 Needle/5.6 | 3 Needle/6.4 |
| 49 | 壓腳 Presser foot asm | 5224PF00400 | 5224PF00480 | 5224PF00481 | 5224PF00560 | 5224PF00640 |
| 49-B | 壓腳舌 Presser foot tongue | 5224PF0040A | 5224PF0048A | 5224PF00481A | 5224PF0056A | 5224PF0064A |

8. CX2000 / CTD9000 / CTD9711 / CXD2000 / CXM2000 / CXD2711

壓腳與相關零件 Presser Foot Components

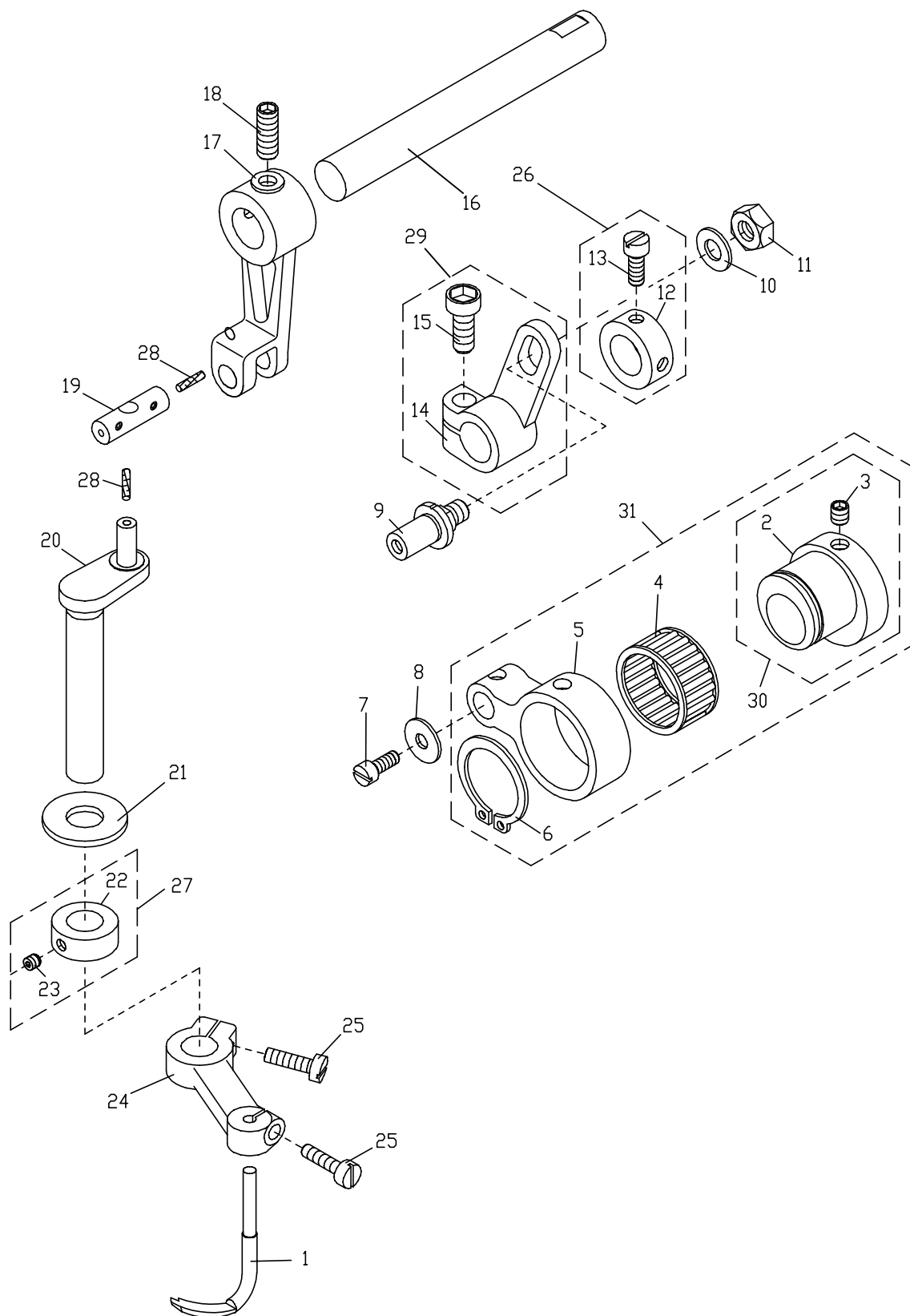
| 序號 Ref.No. | 物料編號 Parts No. | 名稱 Description | 單位用量 Amt. Req. |
|---------------|-------------------|---|-------------------|
| 1 | 2220000801 | 壓力調整螺椿 Spring Regulator ----- | 1 |
| 2 | 2240000802 | 吊桿 Lifter Connecting Plate ----- | 1 |
| 3 | 2220000803 | 螺帽 Nut ----- | 1 |
| 4 | 2200000804 | 彈簧 Spring ----- | 1 |
| 5 | 2200000805 | 壓腳棒連結臂 Presser Bar Clamp ----- | 1 |
| *6 | 2240000806 | 曲柄 Drive Arm ----- | 1 |
| 7 | 2200000807 | 滑道 Guide Block ----- | 1 |
| *8 | 2240000808 | 連桿 Link ----- | 1 |
| 9 | 2200000809 | 彈簧 Spring ----- | 1 |
| 10 | 2200000810 | 壓腳棒 Presser Bar ----- | 1 |
| 11 | 2200000811 | 阻油片 Oil Separator ----- | 1 |
| 12 | 2220000812 | 限動環 Stop Collar ----- | 1 |
| 13 | 2220000813 | 固定切刀 Knife ----- | 1 |
| 14 | 8MH85240300A | 螺絲 Screw (CT0813 M3.5-0.6*3) ----- | 2 |
| 15 | ----- | CTD9000壓腳 Presser Foot(See Left Page) ----- | 1 |
| 15-A | 5220PF0356M | 螺絲 Screw (M3.5-0.6*8) ----- | 1 |
| *16 | 4UTB000411 | 彈簧 Spring ----- | 1 |
| 17 | 2200000817 | 連桿 Link ----- | 1 |
| 18 | 2220000818 | 護指擋片 Safety Plate Holder ----- | 1 |
| 19 | 2240000819 | 連桿 Lever ----- | 1 |
| 20 | 90SP0416 | 彈簧銷 Spring Pin ----- | 1 |
| 21 | 8MB85240607K | 螺絲 Screw (CT0637 M3.5-0.6*6) ----- | 1 |
| 22 | 2200000822 | 定位環 Collar ----- | 1 |
| 23 | 8MB95301407K | 螺絲 Screw (CT0620 M4.5-0.75*14) ----- | 2 |
| 24 | 22400008241 | 軸 Shaft ----- | 1 |
| 25 | 8MC95300606F | 螺絲 Screw (CT0823 M4.5-0.75*5.5) ----- | 2 |
| 26 | 2240000826 | 彈簧 Spring ----- | 1 |
| 27 | 2240000827 | 連桿 Link ----- | 1 |
| 28 | 8MK95301407A | 螺絲 Screw (CT0837 M4.5-0.75*14) ----- | 1 |
| 29 | 8MB05320509G | 螺椿 Stud (CT0802 M5-0.8*5) ----- | 2 |
| 30 | 2310001012 | 墊圈 Washer ----- | 1 |
| 31 | 2310001207 | 波形墊圈 Corrugated Ring ----- | 1 |
| 32 | 2310001013 | 螺椿 Stud ----- | 1 |
| 33 | 22400008331 | 揚昇臂 Lifter Arm ----- | 1 |
| *34 | 8MP06401011A | 螺絲 Screw (MT0234 M6-1*10) ----- | 2 |
| *35 | 2240000835 | 限位片 Stopper ----- | 1 |
| 36 | 8MM06401210A | 螺絲 Screw (F1103 M6-1*12) ----- | 1 |
| 37 | 8MC95300808E | 螺絲 Screw (CT0806 M4.5-0.75*8) ----- | 1 |
| *38 | 2240000838 | 軸 Shift ----- | 1 |
| 39 | 2240000839 | 彈簧 Spring ----- | 1 |
| 40 | 2310001017 | 銷 Pin ----- | 1 |
| 41 | 8MB03200405A | 螺絲 Screw (FT0548 M3-0.5*4) ----- | 1 |
| 42 | 222A0000842 | 限動環組 Stop Collar Asm ----- | 1 |
| *43 | 2310000343 | 螺椿 Stud ----- | 1 |
| *44 | 2310000344 | 螺椿 Stud ----- | 1 |
| 45 | 220A0000825 | 定位環組 Collar Asm.----- | 1 |
| 46 | 2240000846 | O形油環 O Ring ----- | 2 |
| 47 | ----- | CTD9711壓腳 Presser Foot(See Left Page) ----- | 1 |
| 47-A | 8MB85240605A | 螺絲 Screw (CT1002 M3.5-0.6*6)----- | 1 |
| 48 | 222A0000843 | 壓力調整螺椿組 Spring Regulator Set ----- | 1 |
| ◎49 | ----- | 壓腳 Presser Foot ----- | 1 |
| ◎49-A | 5221PF6056C | 螺絲 Screw ----- | 1 |
| ◎49-B | ----- | 壓腳舌 Press Foot Tongue ----- | 1 |
| 50 | 220A0000843 | 壓腳棒連結臂組 Presser Bar Clamp Set ----- | 1 |
| 51 | 220A0000844 | 滑道組 Guide Block Set ----- | 1 |

* 為標準型專用，切線 (UT 系列) 時不使用

* For basic model only. Not applicable to thread trimmer (UT series) series.

◎ 特註品 Custom-made Item

9. CT9000 / CT9711 / CX2000 / CTD9000 / CTD9711 / CXD2000 / CXM2000
 CXD2711 裝飾線驅動機構 Spreader Mechanism



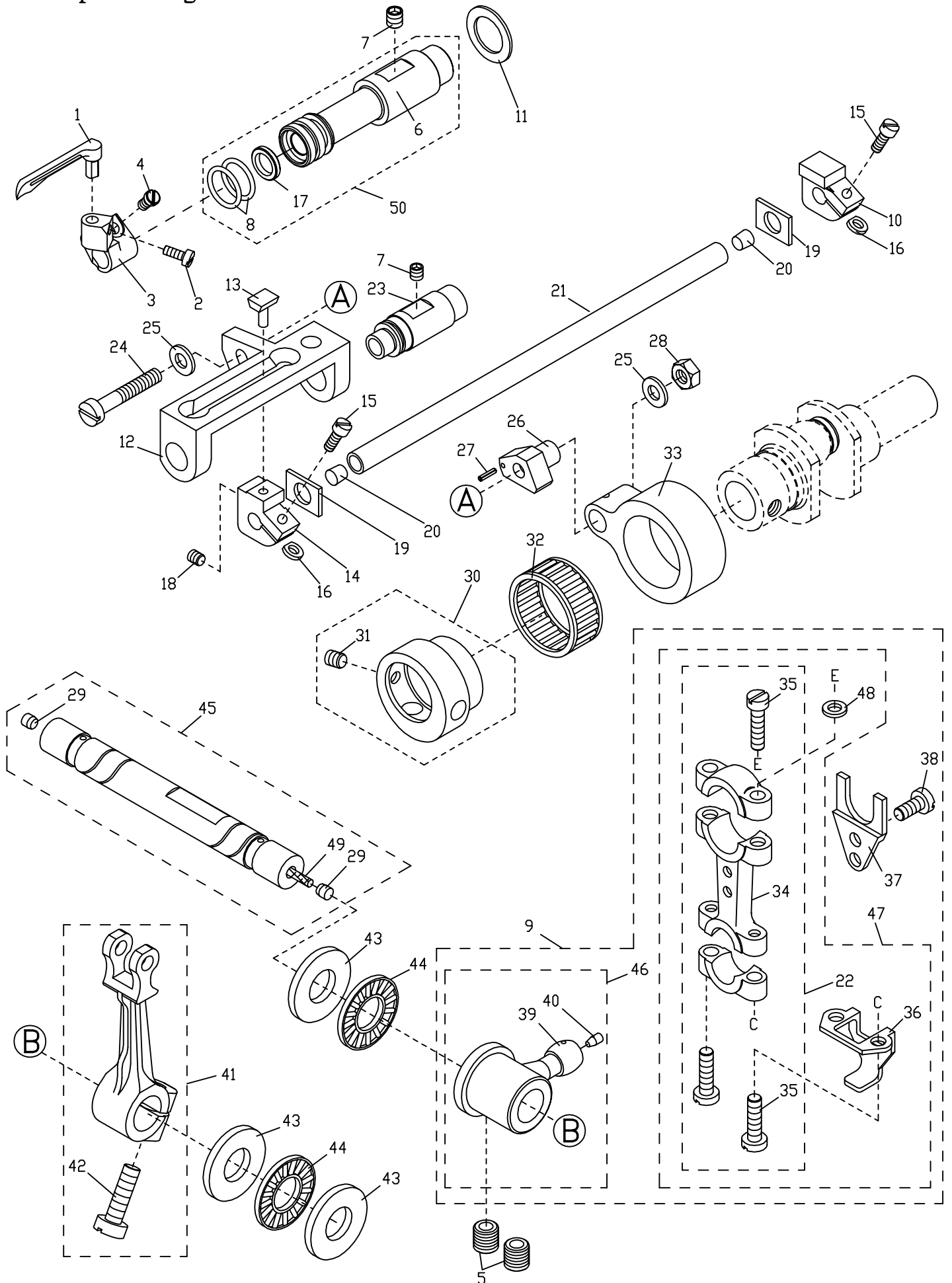
9. CT9000 / CT9711 / CX2000 / CTD9000 / CTD9711 / CXD2000 / CXM2000

CXD2711 裝飾線驅動機構 Spreader Mechanism

| 序號 Ref.No. | 物料編號 Parts No. | 名稱 Description | 單位用量 Amt. Req. |
|---------------|-------------------|---------------------------------------|-------------------|
| 1 | 5220SL00560 | 裝飾線結線鉤 Spreader ----- | 1 |
| 2 | 2200000902 | 偏心輪 Eccentric ----- | 1 |
| 3 | 8MN05320500E | 螺絲 Screw (CT0903 M5-0.8*5) ----- | 2 |
| 4 | 90NB222613 | 滾針軸承 Needle Bearing ----- | 1 |
| 5 | 2200000905 | 連桿 Connecting Rod ----- | 1 |
| 6 | 90SCR220 | 軸用C形扣環 C Ring ----- | 1 |
| 7 | 8MB04280807K | 螺絲 Screw (CT0215 M4-0.7*8) ----- | 1 |
| 8 | 2200000908 | 墊圈 Washer ----- | 1 |
| 9 | 2200000909 | 曲柄銷 Rod Pin ----- | 1 |
| 10 | 2200000910 | 墊圈 Washer ----- | 1 |
| 11 | 8MA06400510A | 螺帽 Nut (CT0533 M6-1*5) ----- | 1 |
| 12 | 2200000912 | 定位環 Collar ----- | 1 |
| 13 | 8MC95300606F | 螺絲 Screw (CT0823 M4.5-0.75*5.5) ----- | 2 |
| 14 | 2200000914 | 變距曲柄 Lever ----- | 1 |
| 15 | 8MM06401610A | 螺絲 Screw (CT0625 M6-1*16) ----- | 1 |
| 16 | 2200000916 | 軸 Shaft ----- | 1 |
| 17 | 2220000917 | 連桿 Connecting Rod ----- | 1 |
| 18 | 8MN06400600A | 螺絲 Screw (CT0244 M6-1*6) ----- | 2 |
| 19 | 2220000919 | 連桿銷 Rod Pin ----- | 1 |
| 20 | 2220000920 | 曲軸 Crank Shaft ----- | 1 |
| 21 | 2200000921 | 墊圈 Washer ----- | 1 |
| 22 | 2200000922 | 定位環 Collar ----- | 1 |
| 23 | 8MN85240300A | 螺絲 Screw (UH0302 M3.5-0.6*3) ----- | 2 |
| 24 | 22000009241 | 擺動臂 Spreader Arm ----- | 1 |
| 25 | 8MB04281207K | 螺絲 Screw (CT0239 M4-0.7*12) ----- | 2 |
| 26 | 220A0000926 | 定位環組 Collar Asm ----- | 1 |
| 27 | 220A0000927 | 定位環組 Collar Asm ----- | 1 |
| 28 | 66801 | 油線 Oil Wick ----- | 2 |
| 29 | 222A0000929 | 變距曲柄 Lever ----- | 1 |
| 30 | 222A0000930 | 偏心輪組 Collar Asm ----- | 1 |
| 31 | 222A0000931 | 偏心輪組 Collar Asm ----- | 1 |

10. CT9711 / CTD9711 / CTU9711 / CXD2711 結線鉤驅動機構

Looper Driving Mechanism

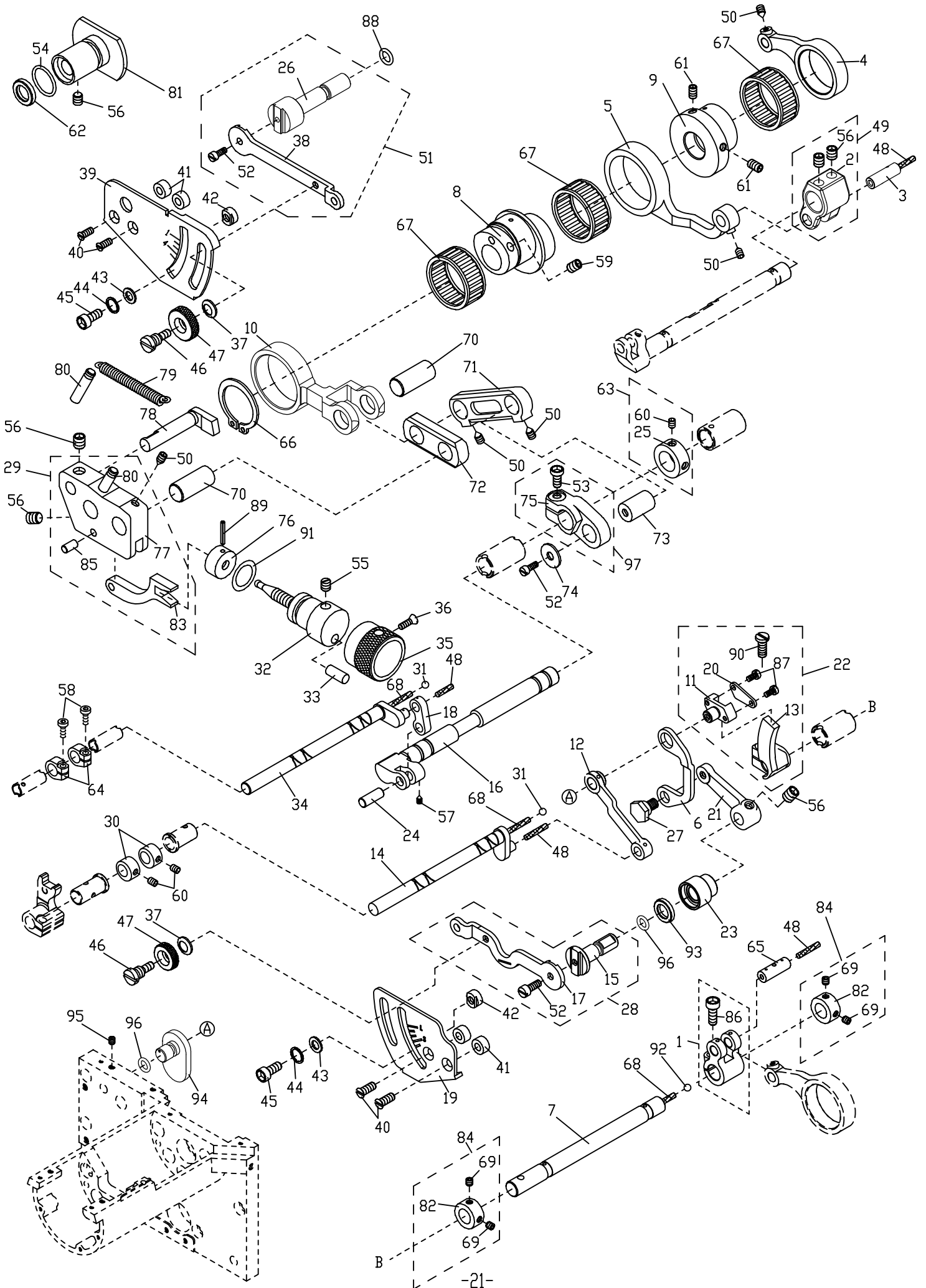


10. CT9711 / CTD9711 / CTU9711 / CXD2711 結線鉤驅動

Looper Driving Mechanism

| 序號 Ref.No. | 物料編號 Parts No. | 名稱 Description | 單位用量 Amt. Req. |
|---------------|-------------------|---|-------------------|
| 1 | 5220LL00560 | 下結線鉤 Looper ----- | 1 |
| 2 | 8MB85240605A | 螺絲 Screw (CT1002 M3.5--0.6*6) ----- | 1 |
| 3 | 2260001003 | 結線鉤座 Looper Holder ----- | 1 |
| 4 | 8MB85240806K | 螺絲 Screw (CT0635 M3.5-0.6*8) ----- | 1 |
| 5 | 8MN08500800A | 螺絲 Screw (CT10461 M8-1.25*8) ----- | 2 |
| 6 | 22600010062 | 軸襯 Bushing ----- | 1 |
| 7 | 8MN06400600A | 螺絲 Screw (CT0244 M6-1*6) ----- | 2 |
| 8 | 2120000608 | O形油環 O Ring ----- | 2 |
| 9 | 220A0001050 | 連桿組 Connecting Rod Asm ----- | 1 |
| 10 | 2220001010 | 滑塊固定座 Slider Holder ----- | 1 |
| 11 | 2200001011 | 墊圈 Washer ----- | 1 |
| 12 | 22200010121 | 滑道 Guide Block ----- | 1 |
| 13 | 2200001013 | 滑塊 Slide block ----- | 1 |
| 14 | 2200001014 | 滑塊固定座 Slider Holder ----- | 1 |
| 15 | 8MB85241106A | 螺絲 Screw (CT1015 M3.5-0.6*11) ----- | 2 |
| 16 | 2200001016 | 墊圈 Washer ----- | 2 |
| 17 | 22700010171 | 油封 Oil Seal ----- | 1 |
| 18 | 8MN04280400A | 螺絲 Screw (CT0229 M4-0.7*4) ----- | 1 |
| 19 | 2200001019 | 止推墊片 Thrust Plate ----- | 2 |
| 20 | 22000002471 | 孔塞 Plug ----- | 2 |
| 21 | 2220001021 | 結線鉤驅動軸 Looper Drive Bar ----- | 1 |
| 22 | 220A0001022 | 連桿組 Connecting Rod Asm ----- | 1 |
| 23 | 22200010231 | 軸襯 Bushing ----- | 1 |
| 24 | 8MB05323009B | 螺絲 Screw (CT1024 M5-0.8*30) ----- | 1 |
| 25 | 2200001025 | 墊圈 Washer ----- | 2 |
| 26 | 2260001026 | 變距連桿銷 Adjusting Pin ----- | 1 |
| 27 | 2200001027 | 彈簧銷 Spring Pin ----- | 1 |
| 28 | 8MA05320408A | 螺帽 Nut (CT1028 M5-0.8*4) ----- | 1 |
| 29 | 2200001029 | 孔塞 Plug ----- | 2 |
| 30 | 2260001030 | 偏心輪 Eccentric ----- | 1 |
| 31 | 8MN05320500E | 螺絲 Screw (CT0903 M5-0.8*5) ----- | 1 |
| 32 | 90NB263010 | 滾針軸承 Needle Bearing ----- | 1 |
| 33 | 2260001033 | 連桿 Rod ----- | 1 |
| 34 | 2200001034 | 連桿 Connecting Rod ----- | 1 |
| 35 | 8MB95301407K | 螺絲 Screw (CT0620 M4.5-0.75*14) ----- | 4 |
| 36 | 2200001036 | 潑油片 Oil Splasher ----- | 1 |
| 37 | 2200001037 | 定向導片 Orient Guide ----- | 1 |
| 38 | 8MB95301008A | 螺絲 Screw (SS033-01-16 M4.5-0.75*10) ----- | 2 |
| 39 | 22000010391 | 曲柄 Lever ----- | 1 |
| 40 | 2100000328 | 孔塞 Plug ----- | 1 |
| 41 | 2260001041 | 擺動臂 Rocker Arm ----- | 1 |
| 42 | 8MM06401610A | 螺絲 Screw (CT0625 M6-1*16) ----- | 1 |
| 43 | 2200001043 | 止推墊圈 Thrust Washer ----- | 3 |
| 44 | 2200001044 | 止推軸承 Thrust Bearing ----- | 2 |
| 45 | 2200001045 | 軸 Shaft ----- | 1 |
| 46 | 220A0001048 | 曲柄組 Lever Asm ----- | 1 |
| 47 | 220A0001049 | 連桿組 Connecting Rod Asm ----- | 1 |
| 48 | 2100000640 | 墊圈 Washer ----- | 2 |
| 49 | 66800 | 油線 Oil Wick ----- | 1 |
| 50 | 226A0001050 | 軸襯組 Bushing Asm. ----- | 1 |

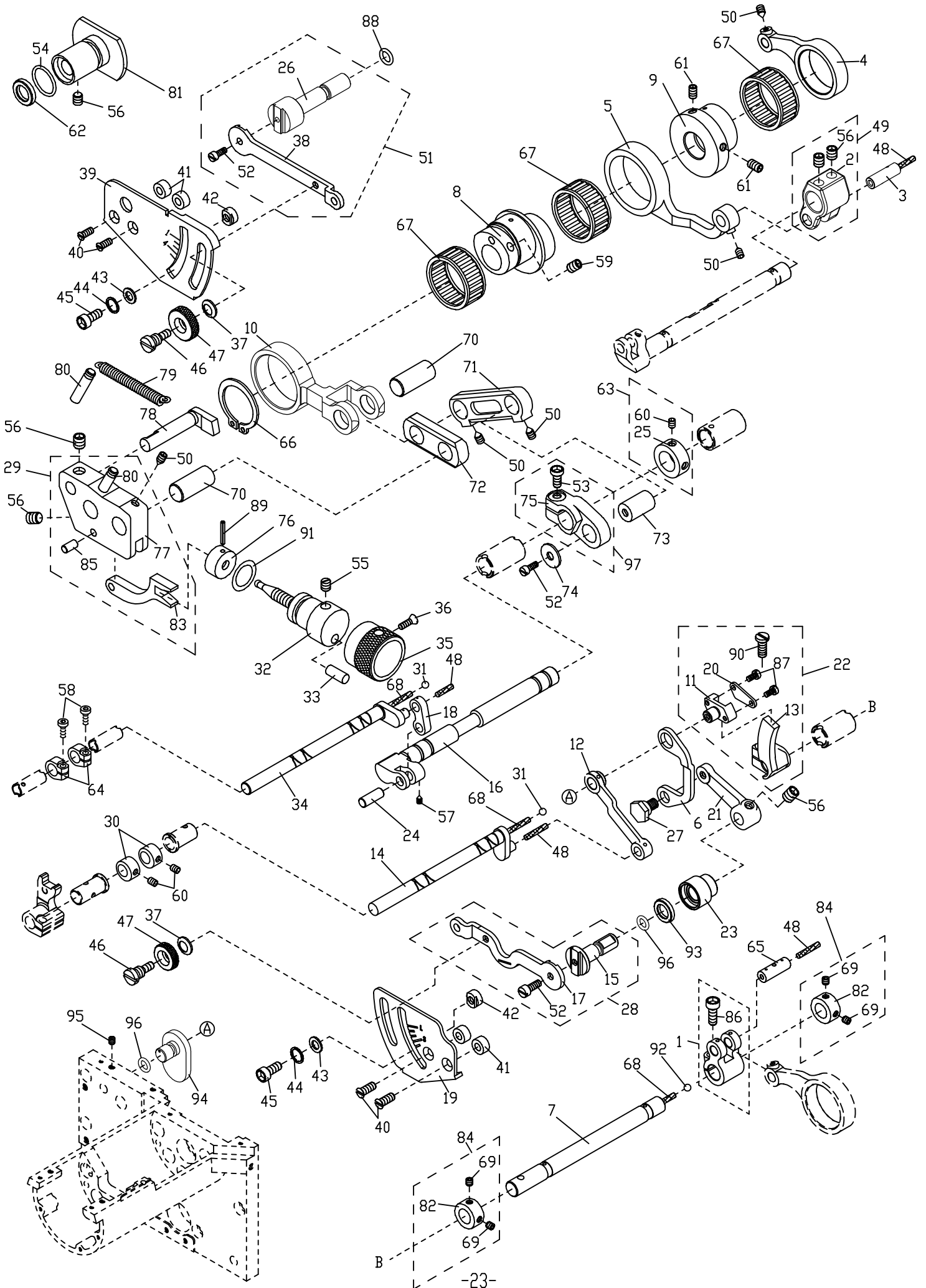
11. CT9711 / CTD9711 / CTU9711 / CXD2711 進給變換機構 Feed Control Driving



11. CT9711/CTD9711/CTU9711/CXD2711 進給變換機構 Feed Control Driving

| 序號 Ref.No. | 物料編號 Parts No. | 名稱 Description | 單位用量 Amt. Req. |
|---------------|-------------------|-------------------------------------|-------------------|
| 1 | 2260001101 | 曲柄 Lever ----- | 1 |
| 2 | 22600011021 | 曲柄 Lever ----- | 1 |
| 3 | 22600011031 | 曲柄銷 Lever Pin ----- | 1 |
| 4 | 2260001104 | 連桿 Link ----- | 1 |
| 5 | 2260001105 | 連桿 Rod ----- | 1 |
| 6 | 2260001106 | 連桿 Link ----- | 1 |
| 7 | 2260001107 | 軸 Shaft ----- | 1 |
| 8 | 2260001108 | 偏心輪 Eccentric ----- | 1 |
| 9 | 22600011091 | 偏心輪 Eccentric ----- | 1 |
| 10 | 2260001110 | 連桿 Rod ----- | 1 |
| 11 | 22600011111 | 差動變距滑塊 Slide Block ----- | 1 |
| 12 | 2260001112 | 連桿 Link ----- | 1 |
| 13 | 2260001113 | 差動變距滑道 Differential Rocker ----- | 1 |
| 14 | 22600011141 | 軸 Shaft ----- | 1 |
| 15 | 2260001115 | 差動游標軸 Shaft ----- | 1 |
| 16 | 2260001116 | 曲柄 Lever ----- | 1 |
| 17 | 2260001117 | 差動變換桿 Lever ----- | 1 |
| 18 | 2260001118 | 連桿 Link ----- | 1 |
| 19 | 2260001119 | 差動刻記板 Regulator Plate ----- | 1 |
| 20 | 2260001120 | 滑塊檔板 Slide Block Cap ----- | 1 |
| 21 | 2260001121 | 差動變換臂 Differential Lever ----- | 1 |
| 22 | 226A00011221 | 差動變距組 Slide Block Asm. ----- | 1 |
| 23 | 2260001123 | 軸襯 Bushing ----- | 1 |
| 24 | 2260001124 | 曲柄銷 Lever Pin ----- | 1 |
| 25 | 2260001125 | 隔環 Spacer ----- | 1 |
| 26 | 2260001126 | 差動游標軸 Shaft ----- | 1 |
| 27 | 8MK05321010E | 螺絲 Screw (CT961127 M5-0.8*10) ----- | 1 |
| 28 | 226A0001128 | 差動變換桿組 Lever Set ----- | 1 |
| 29 | 220A0001153 | 差動微調組 Link Set. ----- | 1 |
| 30 | 2260001130 | 定位環 Collar ----- | 2 |
| 31 | 2100000403 | 孔塞 Plug ----- | 2 |
| 32 | 2200001132 | 差動微調螺桿 Stud ----- | 1 |
| 33 | 2200001133 | 止動銷 Stopper Pin ----- | 1 |
| 34 | 2261110101 | 軸 Shaft ----- | 1 |
| 35 | 2200001135 | 差動微調旋鈕 Knob ----- | 1 |
| 36 | 8ME03200606A | 螺絲 Screw (CT0235 M3-0.5*6) ----- | 1 |
| 37 | 2200001137 | 皿形墊圈 Disc Washer ----- | 2 |
| 38 | 2200001138 | 差動變換桿 Lever ----- | 1 |
| 39 | 2200001139 | 差動刻記板 Regulator Plate ----- | 1 |
| 40 | 8ME04281408A | 螺絲 Screw (CT1140 M4-0.7*14) ----- | 4 |
| 41 | 2200001141 | 隔環 Spacer ----- | 4 |
| 42 | 2200001142 | 止動環 Stopper ----- | 2 |
| 43 | 2200001025 | 墊圈 Washer ----- | 2 |
| 44 | 90SW050 | 彈簧墊圈 Spring Washer ----- | 2 |
| 45 | 8MM05320809A | 螺絲 Screw (CT1145 M5-0.8*8) ----- | 2 |
| 46 | 8MB06401108Q | 螺椿 Stud (CT1146 M4.5-0.75*11) ----- | 2 |
| 47 | 2200001147 | 螺帽 Nut ----- | 2 |
| 48 | 66800 | 油線 Oil Wick ----- | 4 |
| 49 | 226A0001149 | 曲柄組 Lever Asm.----- | 1 |
| 50 | 8MN04280600C | 螺絲 Screw (CT1104 M4-0.7*6) ----- | 5 |

11. CT9711 / CTD9711 / CTU9711 / CXD2711 進給變換機構 Feed Control Driving

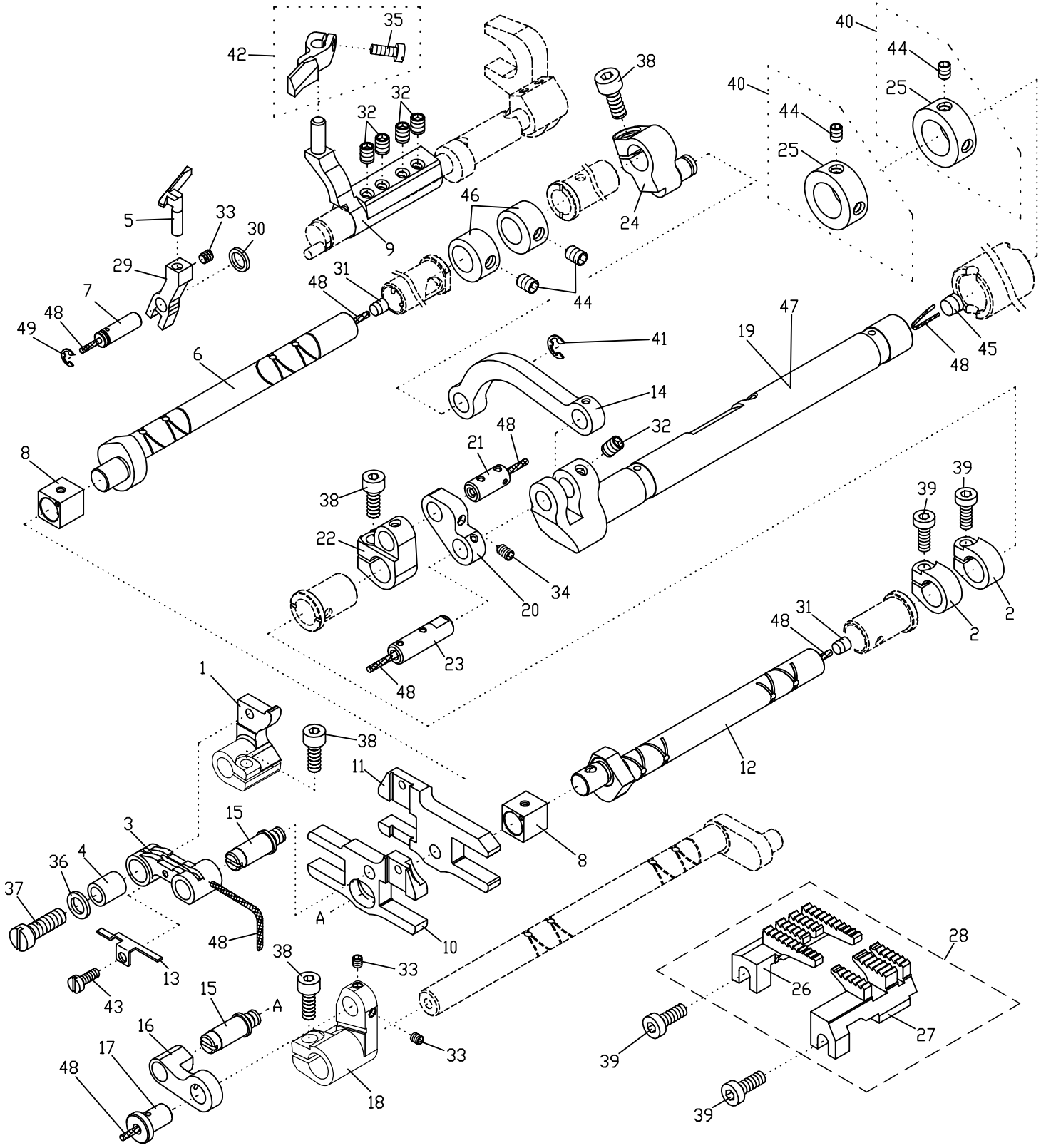


11. CT9711/CTD9711/CTU9711/CXD2711 進給變換機構 Feed Control Driving

| 序號 Ref.No. | 物料編號 Parts No. | 名稱 Description | 單位用量 Amt. Req. |
|---------------|-------------------|------------------------------------|-------------------|
| 51 | 226A0001151 | 差動變換桿組 Lever Set ----- | 1 |
| 52 | 8MB04280807K | 螺絲 Screw (CT0215 M4-0.7*8) ----- | 3 |
| 53 | 8MM04281207A | 螺絲 Screw (CT0202 M4-0.7*12) ----- | 1 |
| 54 | 90OR160 | O形油環 O Ring ----- | 1 |
| 55 | 8MH04280400A | 螺絲 Screw (CT1134 M4-0.7*4) ----- | 1 |
| 56 | 8MN06400600A | 螺絲 Screw (CT0244 M6-1*6) ----- | 6 |
| 57 | 8MN03200400C | 螺絲 Screw (CT1242 M3-0.5*4) ----- | 1 |
| 58 | 8MM03200806A | 螺絲 Screw (CT961239 M3-0.5*8) ----- | 2 |
| 59 | 8MN05320500E | 螺絲 Screw (CT0903 M5-0.8*5) ----- | 2 |
| 60 | 8MN04280400A | 螺絲 Screw (CT0229 M4-0.7*4) ----- | 3 |
| 61 | 8MN05321000E | 螺絲 Screw (MT0843 M5-0.8*10) ----- | 2 |
| 62 | 2200001125 | 油封 Oil Seal ----- | 1 |
| 63 | 226A0001163 | 定位環組 Collar Asm ----- | 1 |
| 64 | 2260001202 | 定位環 Collar ----- | 2 |
| 65 | 2200001103 | 曲柄銷 Rod Pin ----- | 1 |
| 66 | 2200001106 | C形軸用扣環 C Ring ----- | 1 |
| 67 | 90NB252910 | 滾針軸承 Needle Bearing ----- | 3 |
| 68 | 66800 | 油線 Oil Wick ----- | 3 |
| 69 | 8MN05320500E | 螺絲 Screw (CT0903 M5-0.8*5) ----- | 4 |
| 70 | 2200001111 | 連桿銷 Rod Pin ----- | 2 |
| 71 | 2200001112 | 連桿 Link ----- | 1 |
| 72 | 2200001113 | 連桿 Link ----- | 1 |
| 73 | 2200001114 | 曲柄銷 Lever Pin ----- | 1 |
| 74 | 2200001115 | 墊圈 Washer ----- | 1 |
| 75 | 2200001117 | 曲柄 Lever ----- | 1 |
| 76 | 2200001129 | 引動螺帽 Nut ----- | 1 |
| 77 | 2200001119 | 承座 Bracket ----- | 1 |
| 78 | 2200001120 | 懸臂式滑軌 Guide ----- | 1 |
| 79 | 22000011211 | 彈簧 Spring ----- | 1 |
| 80 | 2200001122 | 彈簧掛鉤 Pin ----- | 2 |
| 81 | 2200001123 | 軸襯 Bushing ----- | 1 |
| 82 | 2210001109 | 定位環 Collar ----- | 2 |
| 83 | 2200001128 | 差動微調頂桿 Link ----- | 1 |
| 84 | 221A0001143 | 定位環組 Collar Asm ----- | 2 |
| 85 | 90ST0410 | 連桿銷 Pin ----- | 1 |
| 86 | 8MM06401210A | 螺絲 Screw (FT1103 M6-1*12) ----- | 1 |
| 87 | 8MB03200806K | 螺絲 Screw (CT0623 M3-0.5*8) ----- | 2 |
| 88 | 90OR070 | O形油環 O Ring ----- | 1 |
| 89 | 90SP0206 | 彈簧銷 Spring Pin ----- | 1 |
| 90 | 8MB06401309A | 螺絲 Screw (UH0364 M6-1*13.5) ----- | 1 |
| 91 | 90OR120 | O形油環 O Ring ----- | 1 |
| 92 | 2120001264 | 孔塞 Plug ----- | 1 |
| 93 | 2200000404 | 油封 Oil Seal ----- | 1 |
| 94 | 2260001194 | 導軌 Guide ----- | 1 |
| 95 | 8MN05320600A | 螺絲 Screw (MT0729 M5-0.8*6) ----- | 1 |
| 96 | 90OR060 | O型油環 O Ring ----- | 2 |
| 97 | 220A0001154 | 曲柄組 Lever Set ----- | 1 |

12. CT9711 / CTD9711 / CTU9711 導針與送布齒驅動機構

Needle Guide And Feed Dog Driving For CT9711 / CTD9711 / CTU9711



| 序號 Ref.No. | 名稱 Description | 針距 Distance Of Needles | | | |
|---------------|-----------------------|------------------------|-----|-------------|-----|
| | | 4.0 | 4.8 | 5.6 | 6.4 |
| 26 | 主送布齒 Main Feed Dog | 5226FD11481 | | 5226FD11561 | |
| 27 | 副送布齒 Diff Feed Dog | 5226DF11480 | | 5226DF11560 | |
| 28 | 送布齒組 Feed Dog Asm. | 5226DG0007 | | 5226DG0008 | |

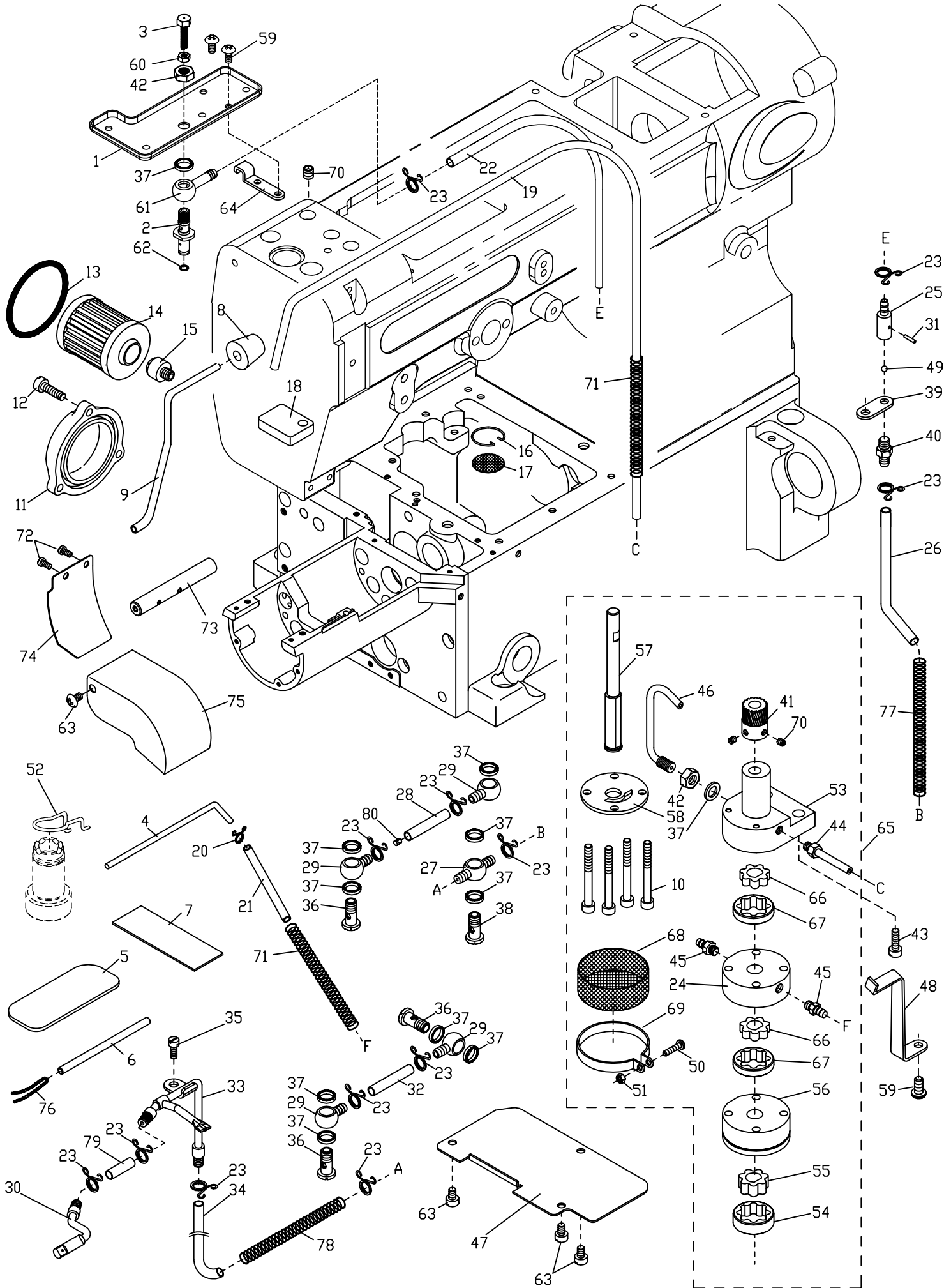
12. CT9711 / CTD9711 / CTU9711 導針與送布齒驅動機構

Needle Guide And Feed Dog Driving For CT9711 / CTD9711 / CTU9711

| 序號 Ref.No. | 物料編號 Parts No. | 名稱 Description | 單位用量 Amt.Req. |
|---------------|-------------------|--|------------------|
| 1 | 22600012011 | 曲柄 Lever ----- | 1 |
| 2 | 2260001202 | 定位環 Collar ----- | 2 |
| 3 | 2260001203 | 連桿 Link ----- | 1 |
| 4 | 2260001204 | 隔環 Spacer ----- | 1 |
| 5 | 5226NG00562 | 前導針器 Needle Guide ----- | 1 |
| 6 | 22600012061 | 軸 Shaft ----- | 1 |
| 7 | 26600012071 | 連桿銷 Pin ----- | 1 |
| 8 | 2260001208 | 滑塊 Slide Block ----- | 2 |
| 9 | 26600012091 | 後導針座 Needle Guide Holder ----- | 1 |
| 10 | 22600012101 | 副送齒驅動座 Feed Dog Seat ----- | 1 |
| 11 | 22600012112 | 主送齒驅動座 Feed Dog Seat ----- | 1 |
| 12 | 2660001212 | 軸 Shaft ----- | 1 |
| 13 | 2260001213 | 擋片 Defender ----- | 1 |
| 14 | 2260001214 | 連桿 Link ----- | 1 |
| 15 | 22600012151 | 螺樁 Stud ----- | 2 |
| 16 | 2260001216 | 連桿 Link ----- | 1 |
| 17 | 2260001217 | 連桿銷 Pin ----- | 1 |
| 18 | 2260001218 | 曲柄 Lever ----- | 1 |
| 19 | 2260001219 | 曲柄 Lever ----- | 1 |
| 20 | 2260001220 | 連桿 Link ----- | 1 |
| 21 | 2260001221 | 連桿銷 Pin ----- | 1 |
| 22 | 22600012221 | 曲柄 Lever ----- | 1 |
| 23 | 2260001223 | 連桿銷 Pin ----- | 1 |
| 24 | 2260001224 | 曲柄 Lever ----- | 1 |
| 25 | 2260001125 | 隔環 Spacer ----- | 2 |
| 26 | ----- | 主送布齒 Main Feed Dog(See Left Page) ----- | 1 |
| 27 | ----- | 副送布齒 Diff Feed Dog(See Left Page) ----- | 1 |
| 28 | ----- | 送布齒組 Feed Dog Asm. (See Left Page) ----- | 1 |
| 29 | 26600012291 | 前導針座 Needle Guide Holder ----- | 1 |
| 30 | 90PW050710 | 墊圈 Washer ----- | 1 |
| 31 | 2100001404 | 孔塞 Plug ----- | 2 |
| 32 | 8MN04280400A | 螺絲 Screw (CT0229 M4-0.7*4) ----- | 5 |
| 33 | 8MN03200300A | 螺絲 Screw (CT0115 M3-0.5*3) ----- | 3 |
| 34 | 8MN03200400C | 螺絲 Screw (CT1242 M3-0.5*4) ----- | 1 |
| 35 | 8MB03200606K | 螺絲 Screw (CT1207 M3-0.5*6) ----- | 1 |
| 36 | 2200001025 | 墊圈 Washer ----- | 1 |
| 37 | 8MB95301407K | 螺絲 Screw(CT0620 M4.5-0.75*14) ----- | 1 |
| 38 | 8MM04281007A | 螺絲 Screw (FT0203 M4-0.7*10) ----- | 4 |
| 39 | 8MM03200806A | 螺絲 Screw (CT961239 M3-0.5*8) ----- | 4 |
| 40 | 226A0001163 | 定位環組 Collar Asm ----- | 2 |
| 41 | 90ER040 | E形扣環 E-Ring ----- | 1 |
| 42 | 5226NG00561 | 後導針器 Needle Guide ----- | 1 |
| 43 | 8MB75180605A | 螺絲 Screw (CTS0221 M2.5-0.45*6) ----- | 1 |
| 44 | 8MN04280400A | 螺絲 Screw (CT0229 M4-0.7*4) ----- | 4 |
| 45 | 2200001243 | 孔塞 Plug ----- | 1 |
| 46 | 2260001130 | 定位環 Collar ----- | 2 |
| *47 | 22600012192 | 曲柄 Lever ----- | 1 |
| 48 | 66800 | 油線 Oil Wick ----- | 8 |
| 49 | 90ER030 | E形扣環 E-Ring ----- | 1 |

* 用於 CT97□□-0-0□□□X

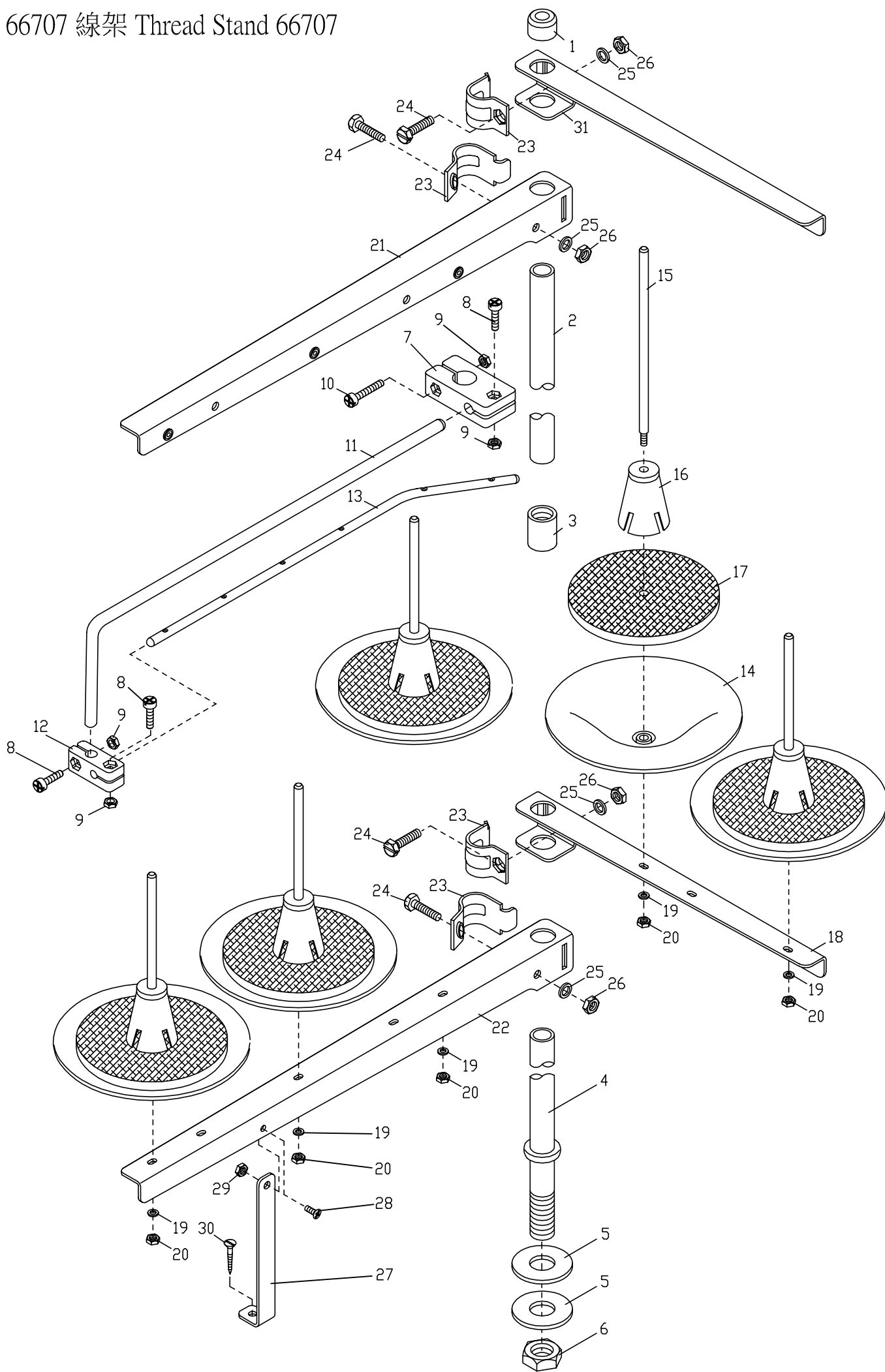
13. CTD9711 / CXD2711 潤滑系統 Lubrication System For CTD9711 / CXD2711



13. CTD9711 / CXD2711 潤滑系統 Lubrication System For CTD9711 / CXD2711

| 序號 Ref. No. | 物料編號 Parts No. | 名稱 Description | 單位用量 Amt. Req. |
|----------------|-------------------|---|-------------------|
| 1 | 2240001301 | 承油盤 Oil Receiver ----- | 1 |
| 2 | 2240001302 | 油管 Oil Tube ----- | 1 |
| 3 | 2240001303 | 噴油嘴 Nozzle ----- | 1 |
| 4 | 2260001304 | 油管 Oil Tube ----- | 1 |
| 5 | 22600013052 | 羊毛氈 Felt ----- | 1 |
| 6 | 2260001306 | 油管 Oil Tube ----- | 1 |
| 7 | 22600013071 | 羊毛氈 Felt ----- | 1 |
| 8 | 2210001311 | 孔塞 Plug ----- | 1 |
| 9 | 2210001310 | 油線 Oil Tube ----- | 1 |
| 10 | 8MM04284007B | 螺絲 Screw (CT1310 M4-0.7*40) ----- | 4 |
| 11 | 2200001311 | 封蓋 Oil Filter Cover ----- | 1 |
| 12 | 8MB04281207K | 螺絲 Screw (CT0239 M4-0.7*12) ----- | 3 |
| 13 | 2200001313 | O 形油環 O Ring ----- | 1 |
| 14 | 2100001521 | 過濾器 Oil Filter ----- | 1 |
| 15 | 2200001315 | 過濾器接頭 Oil Filter Joint ----- | 1 |
| 16 | 2200001316 | 扣簧 Filter Screen Clamp ----- | 1 |
| 17 | 2200001317 | 網板 Filter Screen ----- | 1 |
| 18 | 2200001318 | 羊毛氈 Felt ----- | 1 |
| 19 | 66790 | 油管 Oil Tube (∅2.9 * ∅5 * 410 L) ----- | 1 |
| 20 | 2260001320 | 夾簧 Latch Spring ----- | 1 |
| 21 | 66794 | 油管 Oil Tube (∅2.7 * ∅5 * 490 L) ----- | 1 |
| 22 | 66792 | 油管 Oil Tube (∅4.6 * ∅6.3 * 410 L) ----- | 1 |
| 23 | 2100001536 | 夾簧 Latch Spring ----- | 12 |
| 24 | 2220001324 | 壓出泵 Rotor Case ----- | 1 |
| 25 | 2220001325 | 單向閥 One Way Valve ----- | 1 |
| 26 | 66792 | 油管 Oil Tube (∅4.6 * ∅6.3 * 110 L) ----- | 1 |
| 27 | 2260001327 | 油管接頭 Oil Tube Joint ----- | 1 |
| 28 | 66792 | 油管 Oil Tube (∅4.6 * ∅6.3 * 35 L) ----- | 1 |
| 29 | 2100001535 | 油管接頭 Oil Tube Joint ----- | 4 |
| 30 | 2260001330 | 噴油嘴 Nozzle ----- | 1 |
| 31 | 2220001331 | 銷 Pin ----- | 1 |
| 32 | 66792 | 油管 Oil Tube (∅4.6 * ∅6.3 * 30 L) ----- | 1 |
| 33 | 2260001333 | 油管 Oil Tube ----- | 1 |
| 34 | 66792 | 油管 Oil Tube (∅4.6 * ∅6.3 * 105 L) ----- | 1 |
| 35 | 8MB04280807K | 螺絲 Screw (CT0215 M4-0.7*8) ----- | 1 |
| 36 | 2100001533 | 螺椿 Stud ----- | 3 |
| 37 | 2100001534 | 墊圈 Washer ----- | 11 |
| 38 | 2200001338 | 螺椿 Stud ----- | 1 |
| 39 | 2220001339 | 止回閥座 Bracket ----- | 1 |
| 40 | 2220001340 | 油嘴 Oil Tube Joint ----- | 1 |
| 41 | 2200001341 | 螺母 Worm Gear ----- | 1 |
| 42 | 8MA06400510A | 螺帽 Nut (CT0533 M6-1*5) ----- | 2 |
| 43 | 8MM06402010A | 螺絲 Screw (SH04-44 M6-1*20) ----- | 2 |
| 44 | 2200001344 | 油管 Oil Tube ----- | 1 |
| 45 | 2220001374 | 油嘴 Nozzle ----- | 2 |
| 46 | 22200013461 | 噴油嘴 Nozzle ----- | 1 |
| 47 | 2220001347 | 隔板 Separate ----- | 1 |
| 48 | 2220001348 | 油管支持臂 Oil Tube Holder ----- | 1 |
| 49 | 2220001349 | 鋼珠 Steel ball ----- | 1 |
| 50 | 8MC03201306D | 螺絲 Screw (UTB0335 M3-0.5*12.5) ----- | 1 |
| 51 | 8MA03200306A | 螺帽 Nut (FTB0111 M3-0.5*3) ----- | 1 |
| 52 | 2270001352 | 壓簧 Spring Latch ----- | 1 |
| 53 | 22200013531 | 回收泵 Pump Body ----- | 1 |
| 54 | 2200001354 | 外轉子 Outside Rotor ----- | 1 |
| 55 | 2200001355 | 內轉子 Inside Rotor ----- | 1 |
| 56 | 2200001356 | 壓出泵 Rotor Case ----- | 1 |
| 57 | 22200013571 | 軸 Shaft ----- | 1 |
| 58 | 2200001358 | 封蓋 Cover ----- | 1 |
| 59 | 8MC04280807D | 螺絲 Screw (CT0130 M4-0.7*8) ----- | 3 |
| 60 | 8MA85240306B | 螺帽 Nut (FT020112 M3.5-0.6*2.8) ----- | 1 |
| 61 | 2240001304 | 油管接頭 Oil Tube Joint ----- | 1 |
| 62 | 90OR030 | 油環 Oil Rin ----- | 1 |
| 63 | 8MC04280507D | 螺絲 Screw (CT0122 M4-0.7*5) ----- | 4 |
| 64 | 22400013051 | 擋片 Washer ----- | 1 |
| 65 | 227A0001375 | 泵組 Pump Asm ----- | 1 |
| 66 | 2220001366 | 內轉子 Inside Rotor ----- | 2 |
| 67 | 2220001367 | 外轉子 Outside Rotor ----- | 2 |
| 68 | 2220001368 | 油網 Oil Mesh ----- | 1 |
| 69 | 2220001369 | 夾簧 Latch Spring ----- | 1 |
| 70 | 8MN04280400A | 螺絲 Screw(CT0229 M4-0.7*4) ----- | 3 |
| 71 | 22700013781 | 彈簧 Spring ----- | 2 |
| 72 | 8MB03200506K | 螺絲 Screw (CT0525 M3-0.5*5) ----- | 2 |
| 73 | 2210001352 | 軸 Shaft ----- | 1 |
| 74 | 2210001353 | 防油蓋 Cover ----- | 1 |
| 75 | 2210001354 | 防油蓋 Cover ----- | 1 |
| 76 | 66800 | 油線 Oil Wick ----- | 1 |
| 77 | 2270001377 | 彈簧 Spring ----- | 1 |
| 78 | 2260001380 | 彈簧 Spring ----- | 1 |
| 79 | 66792 | 油管 Oil Tube (∅4.6 * ∅6.3 * 37 L) ----- | 1 |
| 80 | 66800 | 油線 Oil Wick (10 L) ----- | 1 |

14. 66707 線架 Thread Stand 66707

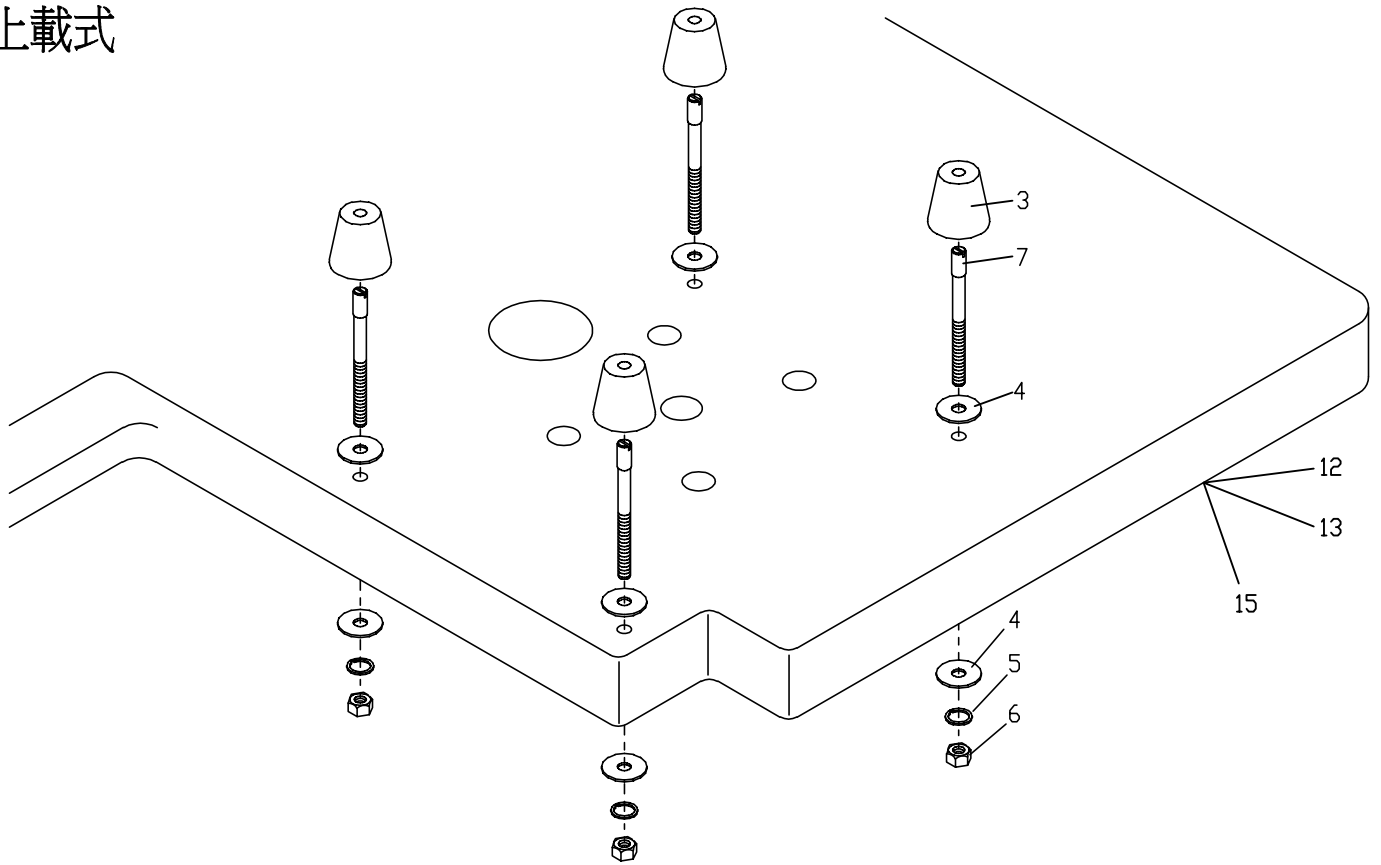


14. 66707 線架 Thread Stand 66707

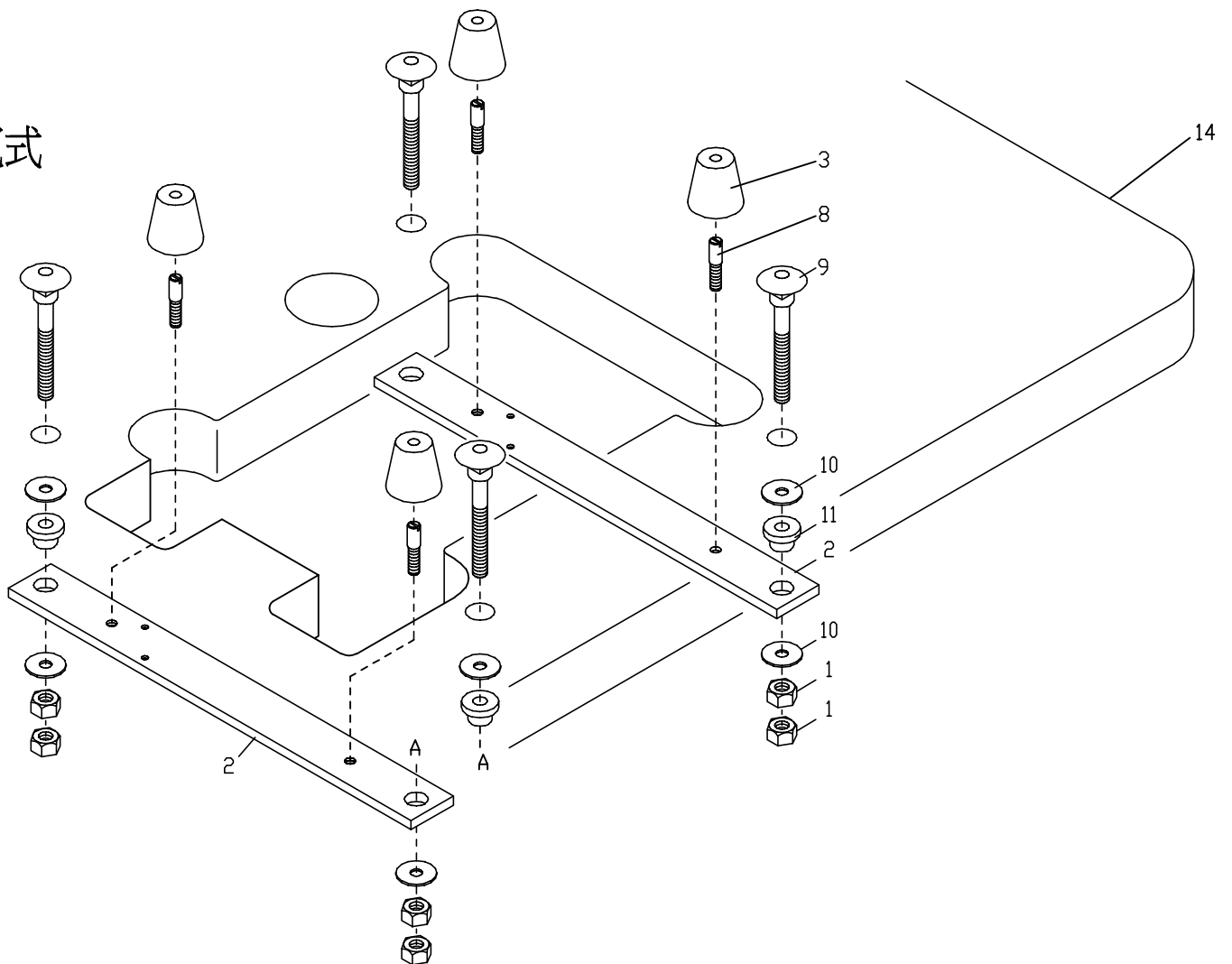
| 序號 Ref.No. | 物料編號 Parts No. | 名稱 Description | 單位用量 Amt. Req. |
|---------------|-------------------|---------------------------------|-------------------|
| 1 | 667051 | 柱帽 Rod Cup ----- | 1 |
| 2 | 667052 | 上柱 Upper Thread Stand Rod ----- | 1 |
| 3 | 667053 | 接頭 Joint ----- | 1 |
| 4 | 667054 | 下柱 Lower Thread Stand Rod ----- | 1 |
| 5 | 667055 | 墊圈 Washer ----- | 2 |
| 6 | 667056 | 螺帽 Nut ----- | 1 |
| 7 | 667057 | 接頭 Bracket ----- | 1 |
| 8 | 667058 | 螺絲 Screw ----- | 3 |
| 9 | 667059 | 螺帽 Nut ----- | 4 |
| 10 | 6670510 | 螺絲 Screw ----- | 1 |
| 11 | 6670511 | 旋臂 Arm ----- | 1 |
| 12 | 6670512 | 接頭 Bracket ----- | 1 |
| 13 | 6670513 | 導線桿 Thread Guide ----- | 1 |
| 14 | 6670514 | 線盤 Spool Set for SH6005 ----- | 5 |
| 15 | 6670515 | 線盤軸 Spool Pin ----- | 5 |
| 16 | 6670516 | 定心錐 Spool Retaining Fig ----- | 5 |
| 17 | 6670517 | 緩衝墊 Seat ----- | 5 |
| 18 | 667061 | 線盤座 Spool Set Bracket ----- | 1 |
| 19 | 6670519 | 彈簧墊圈 Spring Washer ----- | 5 |
| 20 | 6670520 | 螺帽 Nut ----- | 5 |
| 21 | 6670521 | 導線臂 Thread Guide ----- | 1 |
| 22 | 6670522 | 線盤座 Spool Set Bracket ----- | 1 |
| 23 | 6670523 | 夾板 Clamp ----- | 4 |
| 24 | 6670524 | 螺絲 Screw ----- | 4 |
| 25 | 6670525 | 彈簧墊圈 Spring Washer ----- | 4 |
| 26 | 6670526 | 螺帽 Nut ----- | 4 |
| 27 | 6670527 | 撐桿 Support Rod ----- | 1 |
| 28 | 6670528 | 螺絲 Screw ----- | 1 |
| 29 | 6670529 | 螺帽 Nut ----- | 1 |
| 30 | 6670530 | 木螺絲 Wood Screw ----- | 1 |
| 31 | 6670531 | 導線 Thread Guide ----- | 1 |

15. CTD9711 / CTU9711 / CTU9100 / CXD2711 裝載附件 Supporting Board

上載式



半沉式

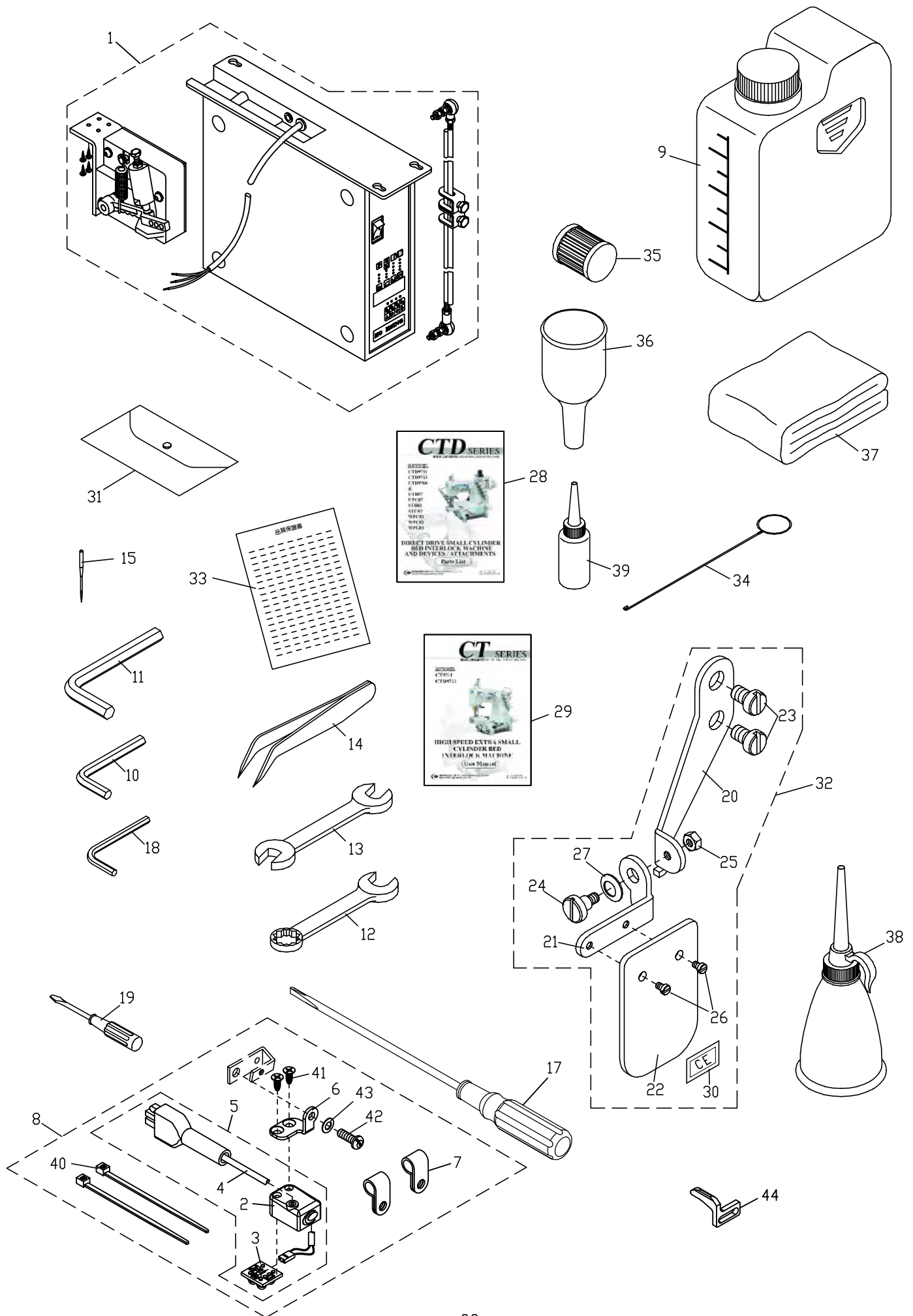


15. CTD9711 / CTU9711 / CTU9100 / CXD2711 裝載附件 Supporting Board

| 序號 Ref.No. | 物料編號 Parts No. | 名稱 Description | 單位用量 Amt. Req. |
|---------------|-------------------|---|-------------------|
| *1 | 8SA79180613A | 螺帽 Nut (CT1514 5/16"-18*6) ----- | 8 |
| 2 | 2200001512 | 車頭承板 Supporting Board ----- | 2 |
| *3 | 66943 | 減震橡膠 Rubber Cushion ----- | 4 |
| *4 | 2200001504 | 墊圈 Washer ----- | 8 |
| *5 | 90SW070 | 彈簧墊圈 Spring Wahsher ----- | 4 |
| *6 | 8MA06400612A | 螺帽 Nut (SH0242 M6-1*6) ----- | 4 |
| *7 | 8MB06406507B | 螺椿 Bolt (CT1507 M6-1*65) ----- | 4 |
| *8 | 8MB06401607M | 螺椿 Stud (CT1503 M6-1*16) ----- | 4 |
| *9 | 8SC79187827B | 懸吊螺椿 Bolt ----- | 4 |
| *10 | 2200001510 | 墊圈 Washer ----- | 8 |
| *11 | 2200001511 | 橡膠環 Rubber Washer ----- | 4 |
| 12 | 66811-9 | CTD9000/CTD9085/CTD9311/CTD9711/CTD9811/CTU9100/CXD2711 上載式開口型車板 Open-cut Table Top Type ----- | - |
| 13 | 66811-13 | CTD9000 / CTD9711 / CTU9100 / CXD2711 上載式車板 Standard Table Top Type ----- | - |
| 14 | 66811-14 | CTD9711 / CTD9811 / CTU9100 / CTU9811 / CXD2711 半沉式車板 Semi-submerged Type ----- | - |
| 15 | 66811-16 | CTD9811 / CTU9811 上載式車板 Standard Table Top Type ----- | - |
| 16 | 220A0001519 | 桌板螺絲包 Table Screw Package ----- | 1 |

*: 代表桌板螺絲包內的零件

16. CTD9711 / CXD2711 工具及附件 Accessories For CTD9711 / CXD2711



16. CTD9711 / CXD2711 工具及附件 Accessories For CTD9711 / CXD2711

| 序號 Ref.No. | 物料編號 Parts No. | 名稱 Description | 單位用量 Amt.Req. |
|---------------|-------------------|--|------------------|
| *1 | ----- | 控制箱組 Control Box Asm. ----- | 1 |
| 2 | 2240001602 | 燈座 Light holder bracket ----- | 1 |
| 3 | 2240001603 | 燈 LED light ----- | 1 |
| 4 | 2240001604 | 電源線 Power connector ----- | 1 |
| **5 | 224A0001605 | 燈組 Light Asm. ----- | 1 |
| 6 | 2240001606 | 支架 Holder Bracket ----- | 1 |
| 7 | 4UTD000254 | 線夾 Cord Clamp ----- | 2 |
| 8 | /TL001 | 燈組 LED Light Asm. ----- | 1 |
| 9 | 66715 | 油罐 Oil Container ----- | 1 |
| 10 | 66636 | 六角扳手 Spanner 3MM ----- | 1 |
| 11 | 66637 | 六角扳手 Spanner 4MM ----- | 1 |
| 12 | 66612 | 梅花扳手 Wrench 10MM ----- | 1 |
| 13 | 66613 | 開口扳手 Wrench 7/8MM ----- | 1 |
| 14 | 66690 | 鑷子 Tweezer ----- | 1 |
| 15 | 66725-11-5 | 備用針 (5 支裝) Retainer Needle ----- | 1 |
| 16 | ----- | ----- | - |
| 17 | 66671 | 木柄一字起子 Wooden Handle Flat Screw Driver ----- | 1 |
| 18 | 66639 | 六角板手 Spanner 1.5MM ----- | 1 |
| 19 | 66667 | 小起子 Screw Driver (Small) ----- | 1 |
| 20 | 2200001620 | 護目鏡座 Safety Plate Support ----- | 1 |
| 21 | 2200001621 | 護目鏡架 Safety Plate Holder ----- | 1 |
| 22 | 2200001622 | 護目鏡 Safety Plate ----- | 1 |
| 23 | 8MC06401008E | 螺絲 Screw (CT0832 M6-1*9.5) ----- | 2 |
| 24 | 8SB36400810E | 螺絲 Screw (CT1624 9/64"-40*8) ----- | 1 |
| 25 | 8SA36400306A | 螺帽 Nut (K09-09 9/64"-40*3)----- | 1 |
| 26 | 8MB03200405A | 螺絲 Screw (FT0548 M3-0.5*4) ----- | 2 |
| 27 | 2200000228 | 墊圈 Washer ----- | 1 |
| 28 | ----- | 零件冊 Parts List ----- | 1 |
| 29 | ----- | 使用說明書 Instruction Manual ----- | 1 |
| 30 | 66451 | 貼紙 Paster ----- | 1 |
| 31 | 66831 | 工具袋 Bag ----- | 1 |
| 32 | 220A0001632 | 護目鏡組 Safety Plate Asm. ----- | 1 |
| 33 | 66200 | 品質保證書 Guarautee ----- | 1 |
| 34 | 66840 | 穿線鋼絲 Threading Bar ----- | 1 |
| 35 | 2100001521 | 過濾器 Oil Filter ----- | 1 |
| 36 | 66722 | 漏斗 Oil Funnel ----- | 1 |
| 37 | 66848 | 防塵罩 Mechine Cover ----- | 1 |
| 38 | 66721 | 油壺 Oiler ----- | 1 |
| 39 | 66720 | 矽油 Silicon Oil ----- | 1 |
| 40 | 4UTB020306 | 束線 Plastic Binding Wire ----- | 2 |
| 41 | 8TE03440806A | 螺絲 Screw ----- | 2 |
| 42 | 8MB04281007K | 螺絲 Screw (CT1237 M4-0.7*10)----- | 1 |
| 43 | 90DW040 | 碟形墊圈 Disk Washer ----- | 1 |
| 44 | 2260001634 | 左導模 Fabric Guide (L)----- | 1 |

* 控制箱種類依馬達及電、氣切線裝置購買

** 需整組購買 Must be sold in complete set

| 機型 \ 項次 | 28 | 29 |
|---------|------------------|-------------------|
| | 零件冊 | 使用說明書 |
| CTD9711 | 6CT6300-2P-14-06 | 6CT62M0-G-14-06 |
| CXD2711 | 6CXD630A-1-12-06 | 6CXD62MA-01-12-06 |

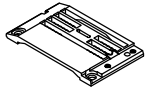
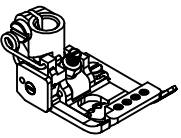
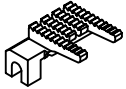
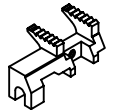

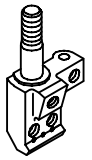
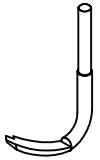

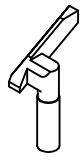
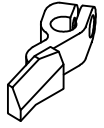

| 機型 \ 項次 | CXD2711 | CTD9711 |
|---------|---------|---------|
| | 標配品 | 選購品 |
| 8 | | |

CT9711/CTD9711/CXD2711 GAUGE PARTS LIST

CT9711-0-0100H

CTD9711-0-0100H

CXD2711-0-0100H

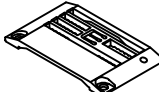
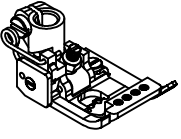
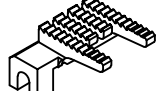
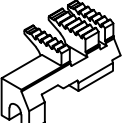
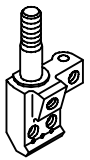
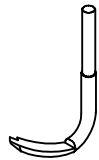

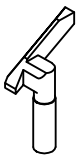
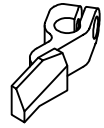

| Main Parts 更換零件 | |  |  |  |  |  |  |  |  |  |  |  |
|--------------------|-----------|---|---|---|---|---|---|---|---|---|---|---|
| 針數 Needle | 針距 m.m | Throat plate 針板 <small>1.5 2.8</small> | Presser foot asm 壓腳 | Main feed dog 主送布齒 | Diff feed dog 副送布齒 | Aux feed dog 輔助送布齒 | Needle clamp 針留 | Upper looper 上結線鉤 | Lower looper 下結線鉤 | Needle guide 前導針 | Needle guide 後導針 | Needle 針 |
| 1 | 0 | 5226TP11000 | 5222PF11560 | 5226FD11561 | 5226DF13560 | 5226AF13560 | 5227NC00560 | 5220SL00560 | 5220LL00560 | 5226NG00562 | 5226NG00561 | UY128GAS # 20 |
| | | | | 5226DG0009 | | | | | | | | |

-35-

CT9711-0-0□□□M
CT9711-0-□□□M

CTD9711-0-0□□□M
CTD9711-0-□□□M

CXD2711-0-0□□□M
CXD2711-0-□□□M

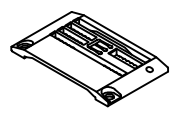
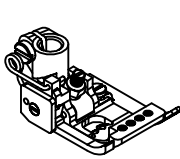
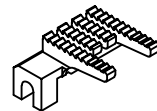
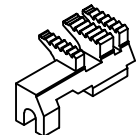
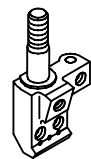
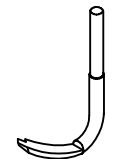

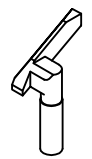


| Main Parts 更換零件 | |  |  |  |  |  |  |  |  |  |  |
|--------------------|-----------|--|--|---|--|--|--|---|--|---|--|
| 針數 Needle | 針距 m.m | Throat plate 針板 <small>1.5 2.8</small> | Presser foot asm 壓腳 | Main feed dog 主送布齒 | Diff feed dog 副送布齒 | Needle clamp 針留 | Upper looper 上結線鉤 | Lower looper 下結線鉤 | Needle guide 前導針 | Needle guide 後導針 | Needle 針 |
| 2 | 4.0 | 5226TP11403 | 5222PF11400 | 5226FD11481 / 5226DF11480 | | 5220NC00400 | 5220SL00560 | 5220LL00560 | 5226NG00562 | 5226NG00561 | UY128GAS # 11 |
| 2 | 4.8 | 5226TP11483 | 5222PF11480 | 組件 5226DG0007 | | 5220NC00480 | | | | | |
| 3 | 5.6 | 5226TP11563 | 5222PF11560 | 5226FD11561 / 5226DF11560 | | 5227NC00560 | | | | | |
| 3 | 6.4 | 5226TP11643 | 5222PF11640 | 組件 5226DG0008 | | 5227NC00640 | | | | | |

CT9711/CTD9711/CXD2711 GAUGE PARTS LIST

CT9711-0-0□□□L
CT9711-0-□□□L

CTD9711-0-0□□□L
CTD9711-0-□□□L

CXD2711-0-0□□□L
CXD2711-0-□□□L

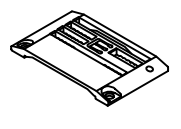
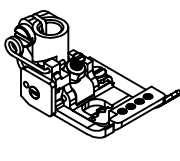
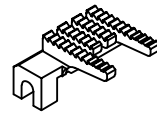
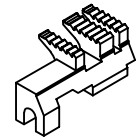
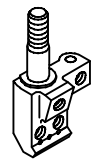
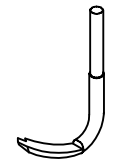

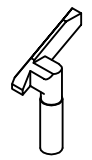


| Main Parts 更換零件 |  |  |  |  |  |  |  |  |  |  | 針距 Needle m.m |
|--------------------|---|---|---|--|---|---|---|---|---|---|------------------|
| | | | | | | | | | | | |
| 2 | 4.8 | 5226TP11485 | 5222PF11480 | 5226FD11481 / 5226DF11480 5226DG0007 | 5220NC00480 | | | | | | |
| 3 | 5.6 | 5226TP11565 | 5222PF11560 | 5226FD11561 / 5226DF11560 組件 5226DG0008 | 5227NC00560 | 5220SL00560 | 5220LL00560 | 5226NG00562 | 5226NG00561 | UY128GAS # 9 | |
| 3 | 6.4 | 5226TP11645 | 5222PF11640 | | 5227NC00640 | | | | | | |

-36-

CT9711-0-0□□□X
CT9711-0-□□□X

CTD9711-0-0□□□X
CTD9711-0-□□□X

CXD2711-0-0□□□X
CXD2711-0-□□□X

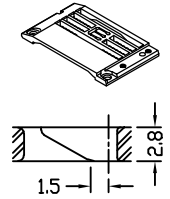
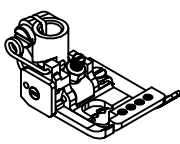
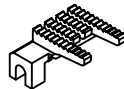
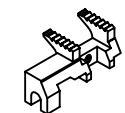

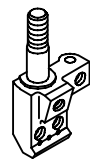
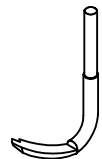

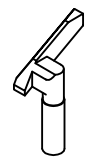
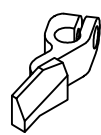

| Main Parts 更換零件 |  |  |  |  |  |  |  |  |  |  | 針距 Needle m.m |
|--------------------|--|--|---|---|--|--|---|--|---|--|------------------|
| | | | | | | | | | | | |
| 2 | 4.8 | 5226TP11485 | 5222PF11480 | 5226FD11481 / 5226DF11480 5226DG0007 | 5220NC00480 | | | | | | |
| 3 | 5.6 | 5226TP11565 | 5222PF11560 | 5226FD11561 / 5226DF11560 組件 5226DG0008 | 5227NC00560 | 5220SL00560 | 5220LL00560 | 5226NG00562 | 5226NG00561 | UY128GAS # 14 | |
| 3 | 6.4 | 5226TP11645 | 5222PF11640 | | 5227NC00640 | | | | | | |

CT9711/CTD9711/CXD2711 GAUGE PARTS LIST

CT9711-1-0 □□□M
CT9711-1- □□□M

CTD9711-1-0 □□□M
CTD9711-1- □□□M

CXD2711-1-0 □□□M
CXD2711-1- □□□M

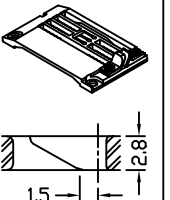

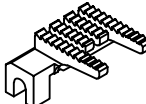
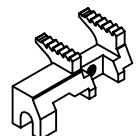

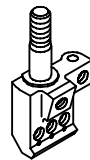
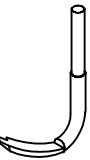
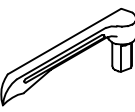
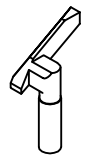


| Main Parts 更換零件 針 針 數 距 Needle m.m |  Throat plate 針板 |  Presser foot asm 壓腳 |  Main feed dog 主送布齒 |  Diff feed dog 副送布齒 |  Aux feed dog 輔助送布齒 |  Needle clamp 針留 |  Upper looper 上結線鉤 |  Lower looper 下結線鉤 |  Needle guide 前導針 |  Needle guide 後導針 |  Needle 針 |
|---|---|--|---|---|---|---|---|---|--|--|--|
| | | | | | | | | | | | |
| 2 | 4.0 | 5226TP13404A | 5222PF11400 | 5226FD11481 / 5226DF13481 / 5226AF13480 組件 5226DG0012 | | 5220NC00400 | 5220SL00560 | 5220LL00560 | 5226NG00562 | 5226NG00561 | UY128GAS # 11 |
| 2 | 4.8 | 5226TP13484A | 5222PF11480 | | | 5220NC00480 | | | | | |
| 3 | 5.6 | 5226TP13564A | 5222PF11560 | 5226FD11561 / 5226DF13560 / 5226AF13560 組件 5226DG0009 | | 5227NC00560 | | | | | |
| 3 | 6.4 | 5226TP13644A | 5222PF11640 | | | 5227NC00640 | | | | | |

-37-

CT9713-0-0 □□□M
CT9713-0- □□□M

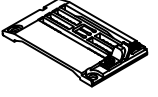
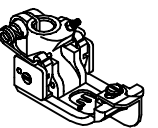
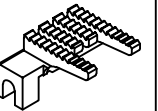
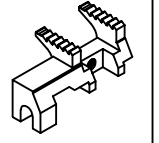

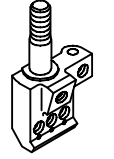
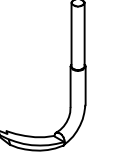

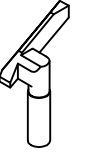
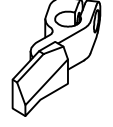

CTD9713-0-0 □□□M
CTD9713-0- □□□M

CXD2713-0-0 □□□M
CXD2713-0- □□□M

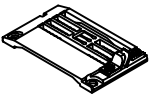
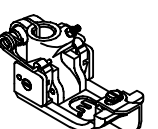
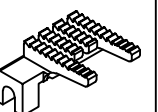
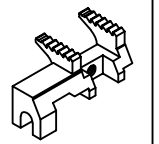

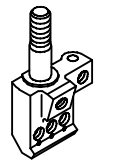
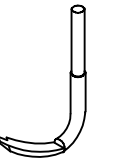
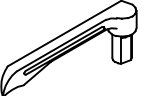
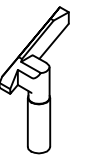


| Main Parts 更換零件 針 針 數 距 Needle m.m |  Throat plate 針板 |  Presser foot asm 壓腳 |  Main feed dog 主送布齒 |  Diff feed dog 副送布齒 |  Aux feed dog 輔助送布齒 |  Needle clamp 針留 |  Upper looper 上結線鉤 |  Lower looper 下結線鉤 |  Needle guide 前導針 |  Needle guide 後導針 |  Needle 針 |
|---|--|---|---|--|---|--|--|---|---|--|---|
| | | | | | | | | | | | |
| 2 | 4.0 | 5226TP13404 | 5220PF00404 | 5226FD11481 / 5226DF13481 / 5226AF13480 組件 5226DG0012 | | 5220NC00400 | 5220SL00560 | 5220LL00560 | 5226NG00562 | 5226NG00561 | UY128GAS # 11 |
| 3 | 4.8 | 5226TP13484 | 5220PF00485 | | | 5220NC00485 | | | | | |
| 3 | 5.6 | 5226TP13564 | 5220PF00564 | 5226FD11561 / 5226DF13560 / 5226AF13560 組件 5226DG0009 | | 5227NC00560 | | | | | |
| 3 | 6.4 | 5226TP13644 | 5220PF00644 | | | 5227NC00640 | | | | | |

CT9713/CTD9713/CXD2713 GAUGE PARTS LIST

CT9713-0-03 □□H CTD9713-0-03 □□H CXD2713-0-03 □□H
 CT9713-0-3 □□H CTD9713-0-3 □□H CXD2713-0-3 □□H

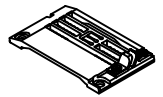
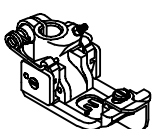
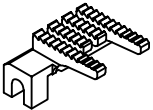
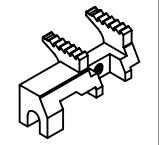

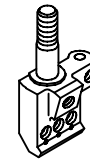





| Main Parts 更換零件 | 針距 Needle m.m |  Throat plate 針板 |  Presser foot asm 壓腳 |  Main feed dog 主送布齒 |  Diff feed dog 副送布齒 |  Aux feed dog 輔助送布齒 |  Needle clamp 針留 |  Upper looper 上結線鉤 |  Lower looper 下結線鉤 |  Needle guide 前導針 |  Needle guide 後導針 |  Needle 針 |
|--------------------|------------------|---|---|--|--|--|---|---|---|--|--|--|
| 3 | 5.6 | 5226TP13568 | 5220PF00564 | 5226FD11561 / 5226DF13560 / 5226AF13560 | | | 5227NC00560 | 5220SL00560 | 5220LL00560 | 5226NG00562 | 5226NG00561 | UY128GAS # 11 |
| 3 | 6.4 | 5226TP13648 | 5220PF00644 | 組件 5226DG0009 | | | 5227NC00640 | | | | | |

CT9713-0-0 □□□L CTD9713-0-0 □□□L CXD2713-0-0 □□□L
 CT9713-0-□□□L CTD9713-0-□□□L CXD2713-0-□□□L

| Main Parts 更換零件 | 針距 Needle m.m |  Throat plate 針板 |  Presser foot asm 壓腳 |  Main feed dog 主送布齒 |  Diff feed dog 副送布齒 |  Aux feed dog 輔助送布齒 |  Needle clamp 針留 |  Upper looper 上結線鉤 |  Lower looper 下結線鉤 |  Needle guide 前導針 |  Needle guide 後導針 |  Needle 針 |
|--------------------|------------------|--|--|--|---|--|--|--|---|---|--|---|
| 2 | 4.0 | 5226TP13407 | 5220PF00404 | 5226FD11481 / 5226DF13481 / 5226AF13480 | | | 5220NC00400 | 5220SL00560 | 5220LL00560 | 5226NG00562 | 5226NG00561 | UY128GAS # 11 |
| 3 | 4.8 | 5226TP13487 | 5220PF00485 | 組件 5226DG0012 | | | 5220NC00485 | | | | | |
| 3 | 5.6 | 5226TP13567 | 5220PF00564 | 5226FD11561 / 5226DF13560 / 5226AF13560 | | | 5227NC00560 | | | | | |
| 3 | 6.4 | 5226TP13647 | 5220PF00644 | 組件 5226DG0009 | | | 5227NC00640 | | | | | |

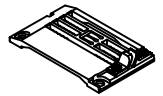
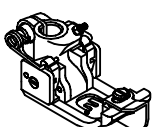
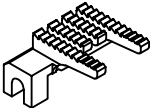
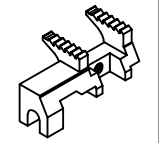

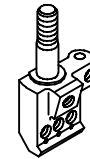





CT9713/CTD9713/CXD2713 GAUGE PARTS LIST

CT9713-0-0□□□L1 CTD9713-0-0□□□L1 CXD2713-0-0□□□L1
 CT9713-0-□□□L1 CTD9713-0-□□□L1 CXD2713-0-□□□L1

| Main Parts 更換零件 針 數 Needle | 針 距 m.m |  Throat plate 針板 |  Presser foot asm 壓腳 |  Main feed dog 主送布齒 |  Diff feed dog 副送布齒 |  Aux feed dog 輔助送布齒 |  Needle clamp 針留 |  Upper looper 上結線鉤 |  Lower looper 下結線鉤 |  Needle guide 前導針 |  Needle guide 後導針 |  Needle 針 |
|--|---------------|---|--|---|---|---|---|---|---|--|--|--|
| | | | | | | | | | | | | |
| 2 | 4.0 | 5226TP13409 | 5220PF00404 | 5226FD11481 / 5226DF13481 / 5226AF13480 | | | 5220NC00400 | 5220SL00560 | 5220LL00560 | 5226NG00562 | 5226NG00561 | UY128GAS # 11 |
| 3 | 4.8 | 5226TP13489 | 5220PF00485 | 組件 5226DG0012 | | | 5220NC00485 | | | | | |
| 3 | 5.6 | 5226TP13569 | 5220PF00564 | 5226FD11561 / 5226DF13560 / 5226AF13560 | | | 5227NC00560 | | | | | |
| 3 | 6.4 | 5226TP13649 | 5220PF00644 | 組件 5226DG0009 | | | 5227NC00640 | | | | | |

-39-

CT9713-0-0□□□X CTD9713-0-0□□□X CXD2713-0-0□□□X
 CT9713-0-□□□X CTD9713-0-□□□X CXD2713-0-□□□X

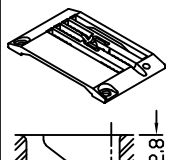
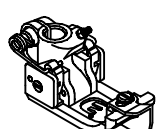
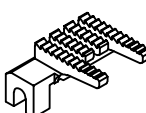
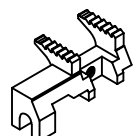

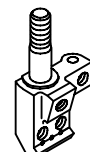
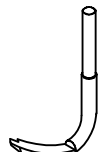




| Main Parts 更換零件 針 數 Needle | 針 距 m.m |  Throat plate 針板 |  Presser foot asm 壓腳 |  Main feed dog 主送布齒 |  Diff feed dog 副送布齒 |  Aux feed dog 輔助送布齒 |  Needle clamp 針留 |  Upper looper 上結線鉤 |  Lower looper 下結線鉤 |  Needle guide 前導針 |  Needle guide 後導針 |  Needle 針 |
|--|---------------|--|---|---|---|---|---|---|---|--|--|---|
| | | | | | | | | | | | | |
| 2 | 4.0 | 5226TP13407 | 5220PF00404 | 5226FD11481 / 5226DF13481 / 5226AF13480 | | | 5220NC00400 | 5220SL00560 | 5220LL00560 | 5226NG00562 | 5226NG00561 | UY128GAS # 14 |
| 3 | 4.8 | 5226TP13487 | 5220PF00485 | 組件 5226DG0012 | | | 5220NC00485 | | | | | |
| 3 | 5.6 | 5226TP13567 | 5220PF00564 | 5226FD11561 / 5226DF13560 / 5226AF13560 | | | 5227NC00560 | | | | | |
| 3 | 6.4 | 5226TP13647 | 5220PF00644 | 組件 5226DG0009 | | | 5227NC00640 | | | | | |

CT9713/CTD9713/CXD2713 GAUGE PARTS LIST

CT9713-1-0□□□M
CT9713-1-□□□M

CTD9713-1-0□□□M
CTD9713-1-□□□M

CXD2713-1-0□□□M
CXD2713-1-□□□M

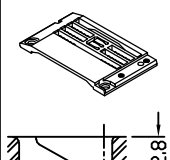
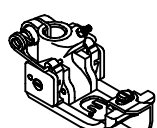
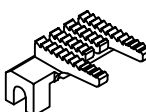
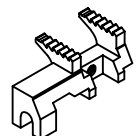

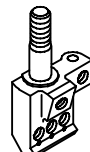
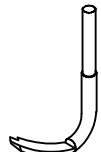
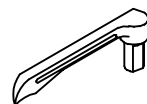



| Main Parts 更換零件 針 針 數 距 Needle m.m |  Throat plate 針板 |  Presser foot asm 壓腳 |  Main feed dog 主送布齒 |  Diff feed dog 副送布齒 |  Aux feed dog 輔助送布齒 |  Needle clamp 針留 |  Upper looper 上結線鉤 |  Lower looper 下結線鉤 |  Needle guide 前導針 |  Needle guide 後導針 |  Needle 針 | |
|---|---|--|---|---|---|---|---|---|--|--|--|---|
| | | | | | | | | | | | | 2 |
| 3 | 4.8 | 5226TP13485 | 5220PF00485 | 組件 5226DG0010 | | | 5220NC00485 | | | | | |
| 3 | 5.6 | 5226TP13565 | 5220PF00564 | 5226FD11561 / 5226DF13560 / 5226AF13561 | 5227NC00560 | | | | | | | |
| 3 | 6.4 | 5226TP13645 | 5220PF00644 | 組件 5226DG0011 | | | 5227NC00640 | | | | | |

-40-

CT9713-2-0□□□M
CT9713-2-□□□M

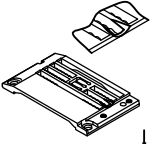
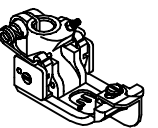
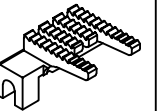
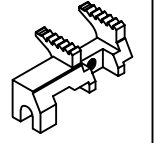

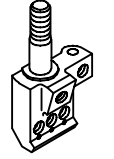
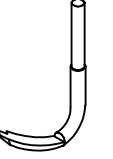

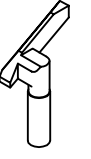
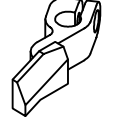

CTD9713-2-0□□□M
CTD9713-2-□□□M

CXD2713-2-0□□□M
CXD2713-2-□□□M

| Main Parts 更換零件 針 針 數 距 Needle m.m |  Throat plate 針板 |  Presser foot asm 壓腳 |  Main feed dog 主送布齒 |  Diff feed dog 副送布齒 |  Aux feed dog 輔助送布齒 |  Needle clamp 針留 |  Upper looper 上結線鉤 |  Lower looper 下結線鉤 |  Needle guide 前導針 |  Needle guide 後導針 |  Needle 針 | |
|---|--|---|---|--|---|--|--|---|---|--|---|---|
| | | | | | | | | | | | | 2 |
| 3 | 4.8 | 5226TP13484A | 5220PF00485 | 組件 5226DG0012 | | | 5220NC00485 | | | | | |
| 3 | 5.6 | 5226TP13564A | 5220PF00564 | 5226FD11561 / 5226DF13560 / 5226AF13560 | 5227NC00560 | | | | | | | |
| 3 | 6.4 | 5226TP13644A | 5220PF00644 | 組件 5226DG0009 | | | 5227NC00640 | | | | | |

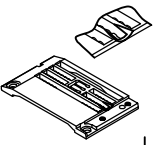
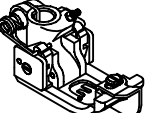
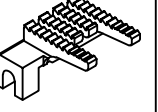
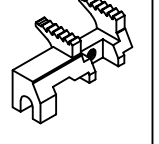
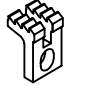
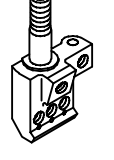
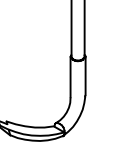
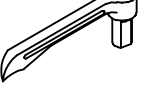
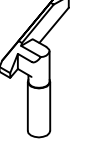
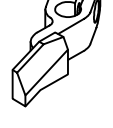

CT9713/CTD9713/CXD2713 GAUGE PARTS LIST

CT9713-2-03□□H CTD9713-2-03 □□H CXD2713-2-03 □□H
 CT9713-2-3□□H CTD9713-2-3 □□H CXD2713-2-3 □□H

| Main Parts 更換零件 針 針 數 距 Needle m.m |  Throat plate 針板 |  Presser foot asm 壓腳 |  Main feed dog 主送布齒 |  Diff feed dog 副送布齒 |  Aux feed dog 輔助送布齒 |  Needle clamp 針留 |  Upper looper 上結線鉤 |  Lower looper 下結線鉤 |  Needle guide 前導針 |  Needle guide 後導針 |  Needle 針 |
|---|---|--|---|---|---|---|---|---|--|--|--|
| | | | | | | | | | | | |
| 3 | 5.6 | 5226TP13568A | 5220PF00564 | | | | | | | | |
| 3 | 6.4 | 5226TP13648A | 5220PF00644 | | | | | | | | |

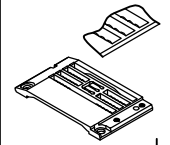

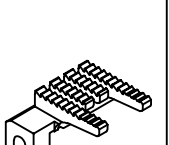
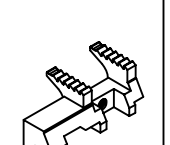
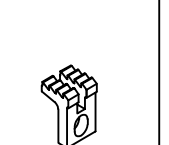
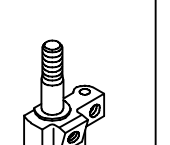
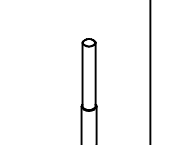
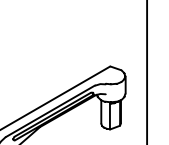
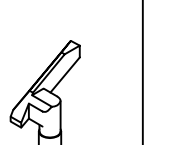
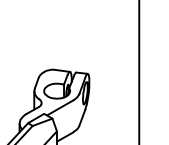
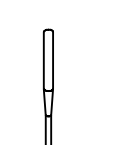
-4-

CT9713-2-0□□□L CTD9713-2-0□□□L CXD2713-2-0□□□L
 CT9713-2-□□□L CTD9713-2-□□□L CXD2713-2-□□□L

| Main Parts 更換零件 針 針 數 距 Needle m.m |  Throat plate 針板 |  Presser foot asm 壓腳 |  Main feed dog 主送布齒 |  Diff feed dog 副送布齒 |  Aux feed dog 輔助送布齒 |  Needle clamp 針留 |  Upper looper 上結線鉤 |  Lower looper 下結線鉤 |  Needle guide 前導針 |  Needle guide 後導針 |  Needle 針 |
|---|--|---|---|---|---|---|---|---|--|--|---|
| | | | | | | | | | | | |
| 2 | 4.0 | 5226TP13407A | 5220PF00404 | | | | | | | | |
| 3 | 4.8 | 5226TP13487A | 5220PF00485 | | | | | | | | |
| 3 | 5.6 | 5226TP13567A | 5220PF00564 | | | | | | | | |
| 3 | 6.4 | 5226TP13647A | 5220PF00644 | | | | | | | | |

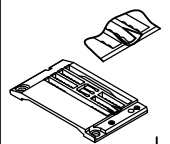

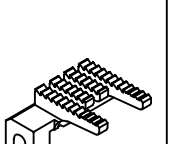
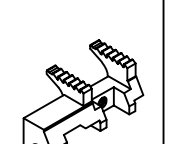
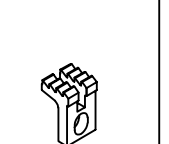
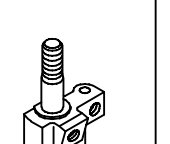
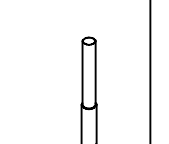
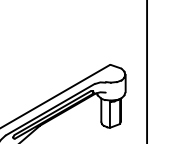
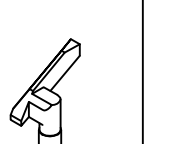

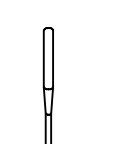
CT9713/CTD9713/CXD2713 GAUGE PARTS LIST

CT9713-2-0□□□L1 CTD9713-2-0□□□L1 CXD2713-2-0□□□L1
 CT9713-2-□□□L1 CTD9713-2-□□□L1 CXD2713-2-□□□L1

| Main Parts 更換零件 針 針 數 距 Needle m.m |  |  |  |  |  |  |  |  |  |  |  |
|---|---|---|---|---|--|---|---|---|---|---|---|
| | | | | | | | | | | | |
| 2 | 4.0 | 5226TP13409A | 5220PF00404 | 5226FD11481 / 5226DF13481 / 5226AF13480 組件 5226DG0012 | 5220NC00400 | 5220SL00560 | 5220LL00560 | 5226NG00562 | 5226NG00561 | UY128GAS # 11 | |
| 3 | 4.8 | 5226TP13489A | 5220PF00485 | | | | | | | | 5220NC00485 |
| 3 | 5.6 | 5226TP13569A | 5220PF00564 | 5227NC00560 | | | | | | | |
| 3 | 6.4 | 5226TP13649A | 5220PF00644 | | 5227NC00640 | | | | | | |

-42-

CT9713-2-0□□□X CTD9713-2-0□□□X CXD2713-2-0□□□X
 CT9713-2-□□□X CTD9713-2-□□□X CXD2713-2-□□□X

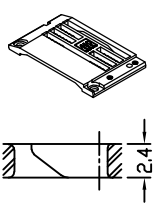
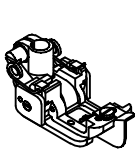
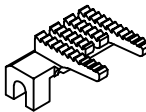
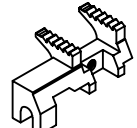

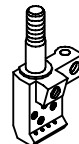
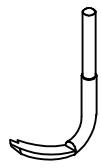

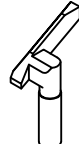


| Main Parts 更換零件 針 針 數 距 Needle m.m |  |  |  |  |  |  |  |  |  |  |  |
|---|--|--|--|--|---|--|--|--|--|--|--|
| | | | | | | | | | | | |
| 2 | 4.0 | 5226TP13407A | 5220PF00404 | 5226FD11481 / 5226DF13481 / 5226AF13480 組件 5226DG0012 | 5220NC00400 | 5220SL00560 | 5220LL00560 | 5226NG00562 | 5226NG00561 | UY128GAS # 14 | |
| 3 | 4.8 | 5226TP13487A | 5220PF00485 | | | | | | | | 5220NC00485 |
| 3 | 5.6 | 5226TP13567A | 5220PF00564 | 5227NC00560 | | | | | | | |
| 3 | 6.4 | 5226TP13647A | 5220PF00644 | | 5227NC00640 | | | | | | |

CT9760/CTD9760/CXD2760 GAUGE PARTS LIST

CT9760-0-4□□M

CTD9760-0-4□□M

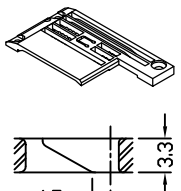

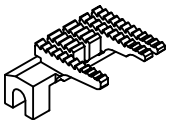
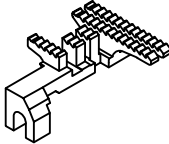
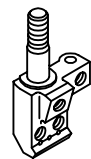


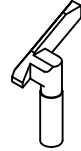


CXD2760-0-4□□M

| Main Parts 更換零件 針 針距 數 Needle m.m |  |  |  |  |  |  |  |  |  |  |  |
|---|---|---|---|---|---|---|---|---|---|---|---|
| | | | | | | | | | | | |
| 4 | 5.6 | 5226TP60561 | 5221PF60561 | 5226FD11561 / 5226DF13560 / 5226AF13560 組件 5226DG0009 | 5228NC60561 | 5220SL00560 | 5220LL60560 | 5226NG00562 | 5226NG00561 | MY1014B # 11 | |
| 4 | 6.0 | 5226TP60601 | 5221PF60601 | | 5228NC60601 | | | | | | |
| 4 | 6.4 | 5226TP60641 | 5221PF60641 | | 5228NC60641 | | | | | | |

CT9811/CTD9811 GAUGE PARTS LIST

CT9811-0-0□□□M
CT9811-0-□□□M

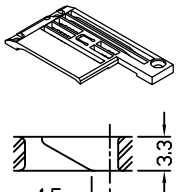

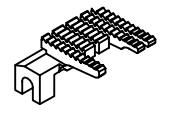
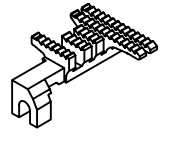
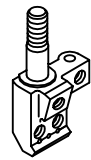

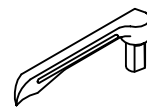
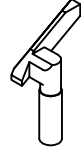

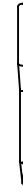
CTD9811-0-0□□□M
CTD9811-0-□□□M

| Main Parts 更換零件 |  |  |  |  |  |  |  |  |  |  | 針距 | |
|--------------------|---|---|---|--|---|---|---|---|---|---|----|------------|
| | | | | | | | | | | | 數 | Needle m.m |
| | Throat plate 針板 | Presser foot asm 壓腳 | Main feed dog 主送布齒 | Diff feed dog 副送布齒 | Needle clamp 針留 | Upper looper 上結線鉤 | Lower looper 下結線鉤 | Needle guide 前導針 | Needle guide 後導針 | Needle 針 | | |
| 2 | 4.0 | 5226TPL1402 | 5222PFL1400 | 5226FDL1561 / 5226DFL1561 組件 5226DG0014 | 5220NC00400 | 5220SL00560 | 5220LL00560 | 5226NG00562 | 5226NG00561 | UY128GAS # 11 | | |
| 3 | 4.8 | 5226TPL1482 | 5222PFL1481 | | 5220NC00485 | | | | | | | |
| 3 | 5.6 | 5226TPL1562 | 5222PFL1560 | | 5227NC00560 | | | | | | | |
| 3 | 6.4 | 5226TPL1642 | 5222PFL1640 | | 5227NC00640 | | | | | | | |

-4-

CT9811-0-0□□□L
CT9811-0-□□□L

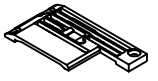
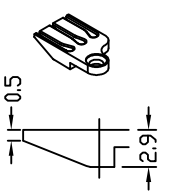

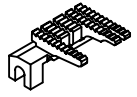
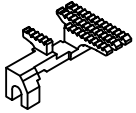
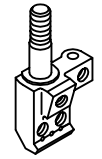
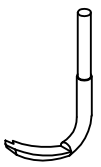
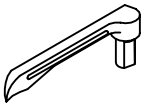
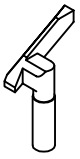
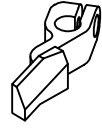

CTD9811-0-0□□□L
CTD9811-0-□□□L

| Main Parts 更換零件 |  |  |  |  |  |  |  |  |  |  | 針距 | |
|--------------------|--|---|---|--|--|--|---|---|---|--|----|------------|
| | | | | | | | | | | | 數 | Needle m.m |
| | Throat plate 針板 | Presser foot asm 壓腳 | Main feed dog 主送布齒 | Diff feed dog 副送布齒 | Needle clamp 針留 | Upper looper 上結線鉤 | Lower looper 下結線鉤 | Needle guide 前導針 | Needle guide 後導針 | Needle 針 | | |
| 2 | 4.0 | 5226TPL1402 | 5222PFL1400 | 5226FDL1562 / 5226DFL1562 組件 5226DG0015 | 5220NC00400 | 5220SL00560 | 5220LL00560 | 5226NG00562 | 5226NG00561 | UY128GAS # 11 | | |
| 3 | 4.8 | 5226TPL1482 | 5222PFL1481 | | 5220NC00485 | | | | | | | |
| 3 | 5.6 | 5226TPL1562 | 5222PFL1560 | | 5227NC00560 | | | | | | | |
| 3 | 6.4 | 5226TPL1642 | 5222PFL1640 | | 5227NC00640 | | | | | | | |

CT9811/CTD9811 GAUGE PARTS LIST

CT9811-0-0□□□S
CT9811-0-□□□S

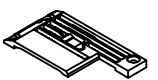
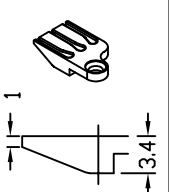

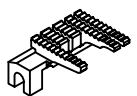
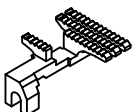
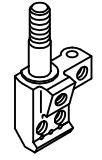
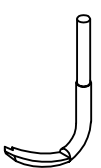

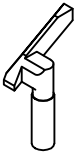


CTD9811-0-0□□□S
CTD9811-0-□□□S

| Main Parts 更換零件 | 針 針 | 數 Needle | 距 m.m |  |  |  |  |  |  |  |  |  |  |  |
|--------------------|--------|-------------|----------|---|---|---|---|--|---|---|---|---|---|---|
| | | | | Throat plate 針板 | Stitch plate Tongue 針板舌 | Presser foot asm 壓腳 | Main feed dog 主送布齒 | Diff feed dog 副送布齒 | Needle clamp 針留 | Upper looper 上結線鉤 | Lower looper 下結線鉤 | Needle guide 前導針 | Needle guide 後導針 | Needle 針 |
| | | 2 | 4.0 | 5226TPL156B 5226TPL1400 | 5222TPL140A | 5222PFL1400 | 5226FDL1560 / 5226DFL1560 組件 5226DG0013 | | 5220NC00400 | 5220SL00560 | 5220LL00560 | 5226NG00562 | 5226NG00561 | UY128GAS # 11 |
| | | 3 | 4.8 | 5226TPL156B 5226TPL1480 | 5222TPL148A | 5222PFL1481 | | 5220NC00485 | | | | | | |
| | | 3 | 5.6 | 5226TPL156B 5226TPL1560 | 5222TPL156A | 5222PFL1560 | | 5227NC00560 | | | | | | |
| | | 3 | 6.4 | 5226TPL156B 5226TPL1640 | 5222TPL164A | 5222PFL1640 | | 5227NC00640 | | | | | | |

-45-

CT9811-0-0□□□S1
CT9811-0-□□□S1

CTD9811-0-0□□□S1
CTD9811-0-□□□S1

| Main Parts 更換零件 | 針 針 | 數 Needle | 距 m.m |  |  |  |  |  |  |  |  |  |  |  |
|--------------------|--------|-------------|----------|---|--|---|---|--|---|--|---|---|---|--|
| | | | | Throat plate 針板 | Stitch plate Tongue 針板舌 | Presser foot asm 壓腳 | Main feed dog 主送布齒 | Diff feed dog 副送布齒 | Needle clamp 針留 | Upper looper 上結線鉤 | Lower looper 下結線鉤 | Needle guide 前導針 | Needle guide 後導針 | Needle 針 |
| | | 2 | 4.0 | 5226TPL156B 5226TPL1401 | 5222TPL140C | 5222PFL1400 | 5226FDL1560 / 5226DFL1560 組件 5226DG0013 | | 5220NC00400 | 5220SL00560 | 5220LL00560 | 5226NG00562 | 5226NG00561 | UY128GAS # 11 |
| | | 3 | 4.8 | 5226TPL156B 5226TPL1481 | 5222TPL148C | 5222PFL1481 | | 5220NC00485 | | | | | | |
| | | 3 | 5.6 | 5226TPL156B 5226TPL1561 | 5222TPL156C | 5222PFL1560 | | 5227NC00560 | | | | | | |
| | | 3 | 6.4 | 5226TPL156B 5226TPL1641 | 5222TPL164C | 5222PFL1640 | | 5227NC00640 | | | | | | |



NTD7701
4-Needle, 6-Thread Flat-Seamer,
Feed-Off-The-Arm Machine



MT4512P-050 / PMD / FR01
12-Needle Double Chain Stitch Machine
(Lower Feed Metering Device \ Elastic hemmer)



UHU9304/TR025
Automatic chain cutter device direct-drive
cylinder bed top feed overlock fitted with
labor-saving rib folder



CXM2085-0-356M
Attaching Pre-Closed Flat Knit Elastic Band Onto
Waists Of Tubular Goods
(With Right Knife, Rear Puller & Chips Suction Pipe)



精機機械廠股份有限公司
CHING CHI MACHINE CO., LTD
<http://www.kingtexsewing.com.tw>

The specifications and / or appearances of the equipments described in
this catalogue are subject to change without further notice.

本目錄所述產品,因更新或改良,可能不經事前預告,而對產品之外觀,規格,內容進行修改,特此聲明敬請鑒諒。